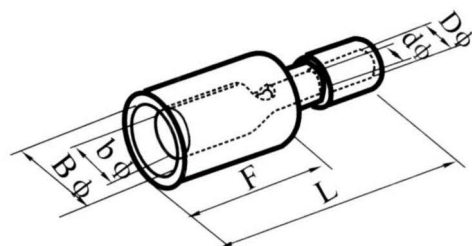
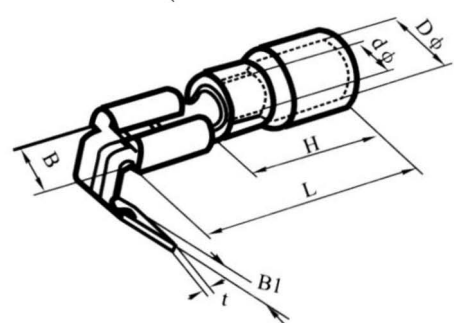
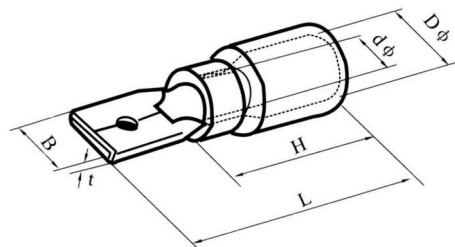
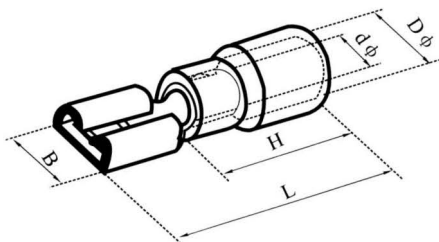
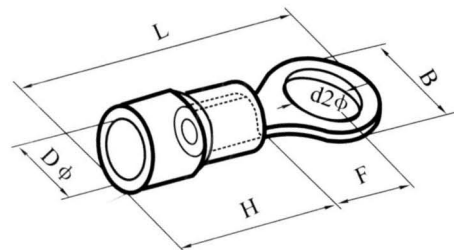
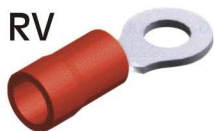


IT-101



FRD

| ΤΥΠΟΣ | ΧΡΩΜΑ | ΤΕΜΑΧΙΑ | AWG | d | B | L | F | H | D | B1 | t | b |
|--------------|-------|---------|--------------------------|-----|------|------|------|------|-----|-----|-----|-----|
| RVL1.25-4 | | 10 | 22 ~ 16 | 4.3 | 8.0 | 21.5 | 7.0 | 10.0 | 4.3 | - | - | - |
| FDD1.25-250 | | 10 | 22 ~ 16 | 1.7 | 7.4 | 21.0 | - | 10.0 | 3.8 | - | - | - |
| FDD2-250 | | 10 | 16 ~ 14 | 2.3 | 7.4 | 21.0 | - | 10.0 | 4.3 | - | - | - |
| FDD5.5-250 | | 10 | 12 ~ 10 | 3.4 | 7.4 | 25.0 | - | 10.0 | 5.7 | - | - | - |
| MDD1.25-250 | | 10 | 22 ~ 16 | 1.7 | 6.35 | 21.0 | - | 10.0 | 4.3 | - | 0.4 | - |
| MDD2-250 | | 10 | 16 ~ 14 | 2.3 | 6.35 | 21.0 | - | 10.0 | 4.3 | - | 0.4 | - |
| PBDD1.25-250 | | 10 | 22 ~ 16 | 1.7 | 7.4 | 21.5 | - | 10.0 | 3.8 | 6.3 | - | - |
| PBDD2-250 | | 10 | 16 ~ 14 | 2.3 | 7.4 | 21.5 | - | 10.0 | 4.3 | 6.3 | - | - |
| MPD2-195 | | 10 | 16 ~ 14 | 1.7 | - | 21.0 | 16.0 | 10.0 | 2.7 | - | - | 5.0 |
| FRD2-195 | | 10 | 16 ~ 14 | 2.3 | - | 24.5 | 7.0 | 14.0 | 3.3 | - | - | 5.0 |
| YF005 | | 1 | ΠΡΕΣΣΑ ΑΚΡΟΔΕΚΤΩΝ | | | | | | | | | |