

## 92 Series Thermal Circuit Breaker

### Single Pole Push to Reset



#### •Technical data

- Current rating range 2~20A
- Input voltage rating 125/250VAC; 50VDC
- Interrupting Capacity 125/250VAC x 1,000A(UL 1077)

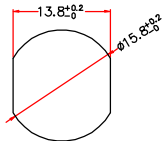


- Typical life 1,000 operations at 200% overload.
- Insulation co-ordination Rated impulse withstand voltage 2.5kV
- Dielectric Strength > 1,500VAC/min.
- Insulation Resistance >100MOHM (DC 500V)
- Degree of protection Terminal area IP00, operating area IP40

#### •Mechanical/Environmental Data

- Operating Ambient Temperature: -10°C to +60°C
- Termination: 250"(6.35mm) quick connects or solder terminals
- Mounting: Various options. See Ordering Information and drawings

#### •Panel Cutout:



#### •Compliance with Rohs

The product accords with the requirement of ROHS( 2011/65/EU)  
Contacts use Exempted item of RoHS Directive 2010/571/EU 8(a)

#### •Compliance with REACH, PAHS, PH1, PH2, PH3

#### •Typical applications

Transformers, Motors, Battery chargers, Power supplies, appliances, extra low voltage systems, machinery.

#### •Calibration(at25°C)

Rated: 0.25~2.5A

- 100% of Rated Current: Hold , No Trip
- 150% of Rated Current: Trip Within 1 Hour.
- 200% of Rated Current: 7.5-52 sec Trip
- 300% of Rated Current: 2.85-10 sec Trip

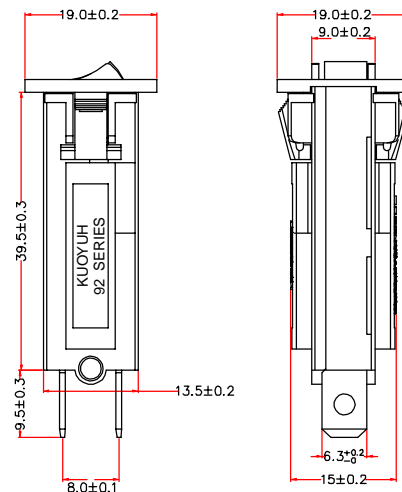
Rated: 3~16A

- 100% of Rated Current: Hold , No Trip
- 135% of Rated Current: Trip Within 1 Hour.
- 200% of Rated Current: 5.2-30.0 sec Trip
- 300% of Rated Current: 1.5-5.0 sec Trip

#### •Approval

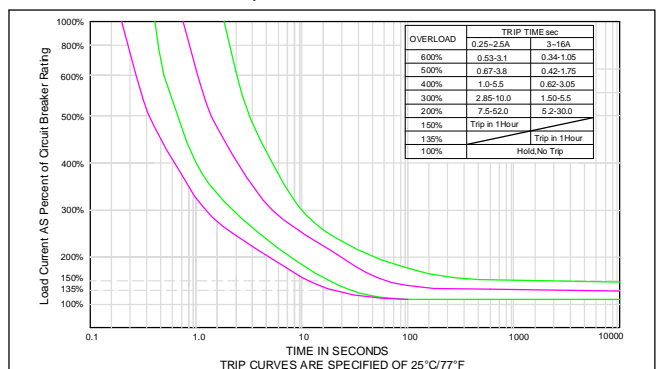
- | Approval & File No.   | Rated current | Rated voltage     |
|-----------------------|---------------|-------------------|
| CUL UL E155159        | 0.25-16A      | 125/250VAC; 50VDC |
| TUV SUD B150158611006 | 0.25-16A      | 125/250VAC        |
| CCC                   | 0.5-16A       | 125/250VAC        |
| VDE                   | 0.5-16A       | 125/250VAC        |

ON (Contacts Close)



\* Dimension in mm.

#### •92 Series 0.25~16A Trip Time Curves



#### •Ambient Temperature Correction Factor

Ambient temperature	-10°C	0°C	10°C	25°C	35°C	40°C	50°C	60°C
Multiplication factor	*1.30	*1.20	*1.10	1.00	*0.94	*0.85	*0.73	*0.68

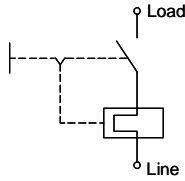
The time/current characteristic curve depends on the ambient temperature prevailing. In order to eliminate nuisance tripping. Please multiply the circuit breaker current ratings by the derating factor shown below.

Example : Normal Continuous Current = 10A  
Ambient Temperature = 45°C  
Multiplication Factor = 0.85  
Recommended Rating = 10A/0.85=11.8A

•Max. Internal Resistance

0.25-0.5Amp	<0.450 ohms
2.0-5.0Amp	<0.450 ohms
2.0-5.0Amp	<0.450 ohms
2.0-5.0Amp	<0.450 ohms
5.1-7.0Amp	<0.150 ohms
7.1-10.0Amp	<0.105 ohms
10.1-12.0Amp	<0.075 ohms
12.1-15.0Amp	<0.055 ohms
15.1-16.0Amp	<0.035 ohms

•Internal connection diagram



•92 Series Order Guide

Order Guide	92 - Series No.	1200 - Amp Rating	B Color of Button	G Color of Cover	6 Terminal Type	N Terminal Finish
0025= 0.25A	0250= 2.5A	0750= 7.5A				
0050= 0.5A	0300= 3.0A	0800= 8.0A				
0075= 0.75A	0320= 3.2A	0900= 9.0A				
0100= 1.0A	0350= 3.5A	1000=10.0A				
0125= 1.25A	0400= 4.0A	1100=11.0A				
0150= 1.5A	0450= 4.5A	1200=12.0A				
0175= 1.75A	0500= 5.0A	1300=13.0A				
0200= 2.0A	0600= 6.0A	1500=15.0A				
0225= 2.25A	0700= 7.0A	1600=16.0A				
<p><b>B</b>=Black(黑色)</p>						
<p><b>B</b>=Black(黑色) <b>G</b>=Gray(灰色)</p>						
<p><b>6</b>=250" quick connects Straight</p>						
<p><b>1</b>=250" quick connects 90° bend</p>						
<p><b>2</b>=250" quick connects 45° bend</p>						
<p><b>S</b> = Plate with Tin <b>N</b> = Plate with Nickel</p>						