

AT-8070-D

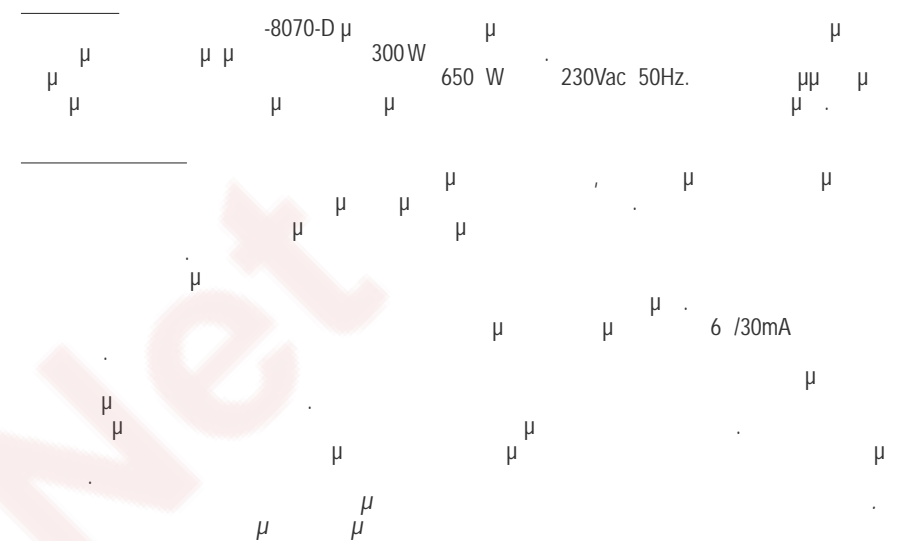
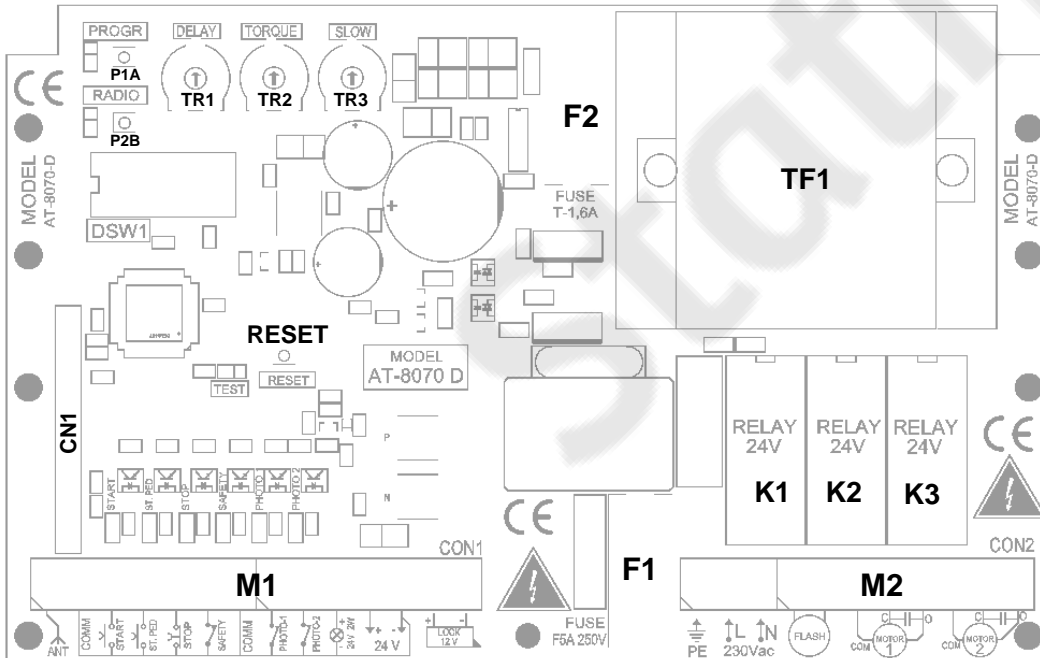
230 Vac



μ

AT-8070-D

- P1A = μμ μ μ
- P2B = μμ μ
- DSW1 =
- TR1, TR2, TR3 = μ trimmers
- RESET = Reset μ
- F2 = μ
- TF1 = μ
- CN1 =
- M1 = μ - μ
- F1 = 230Vac
- M2 = μ - 230Vac
- K1 – K3 =



Declaration of Conformity

(No: 102)

We *AutoTech Georgia Kapsali, Gionas 11, Peristeri, 12133, Athens, Greece,*

declare under our sole responsibility that the product:

Name: Control board for swinging gates motor

Model: AT8070D

to which this declaration relates it is in conformity with the essential requirements of:

- 2014/53/EU – Radio Equipment Directive (RED)
- 2011/65/EU – RoHS Directive
- 2012/19/EU – WEEE Directive

For the evaluation of the compliance with these Directives and Regulations, the following standards were applied:

SAFETY (article 3.1.a of RED)	EN 60950-1:2006+A11:2009+A1:2010+A12:2011+A2:2013 EN 60335-1:2012+A11:2014+A13:2017
HEALTH (article 3.1.a of RED)	EN 62479:2010
EMC (article 3.1.b of RED)	ETSI EN 303 446-1 V1.1.0 (2017-03)
SPECTRUM (article 3.2 of RED)	ETSI EN 300 220-1 V3.1.1 (2017-02) ETSI EN 300 220-2 V3.1.1 (2017-02)
RoHS	EN 50581:2012
WEEE	EN 50419:2006

NOTE: It is important that the product is subjected to a correct installation, use and maintenance, conforming to intended purpose, applicable regulations and standards, to supplier's instructions and user's manual.

Signed for and on behalf of: AutoTech Georgia Kapsali

Place and date of issue: Athens 28/10/2017

Name, function: Antonios Apergis

Signature:

230V 50Hz
 24V.
 0,5mm²
 1,5mm²
 230V 50Hz.
 2,5 mm²

μ 1

ANTENNA =
 COM =
 START = μ N.O. (μ / μ)
 ST.PED = μ N.O. (μ)
 STOP = μ N.C. (STOP)
 SAFETY = N.C.
 COM =
 PHOTO1 = N.C.
 PHOTO2 = N.C.
 W. L GHT 2W 24V = 24Vdc 2W max.
 +24V = 24Vdc μ
 -24V = 24Vdc μ
 LOCK = 12Vac

μ 2

PE =
 L = 230V 50Hz
 N = 230V 50Hz ()
 FLASH = 230V 50Hz 15 W max.
 Motor 1 COM = 1.
 Motor 1 C = μ 1.
 Motor 1 O = μ 1.
 Motor 2 COM = 2.
 Motor 2 C = μ 2.
 Motor 2 O = μ 2.
 μ M2 N.C. μ μ 1
 flasher μ μ μ
 μ (START S.TP) μ N.C. TEST_LED μ

CONDOMINIUM:

START μ START μ START μ STOP,

STEP BY STEP:

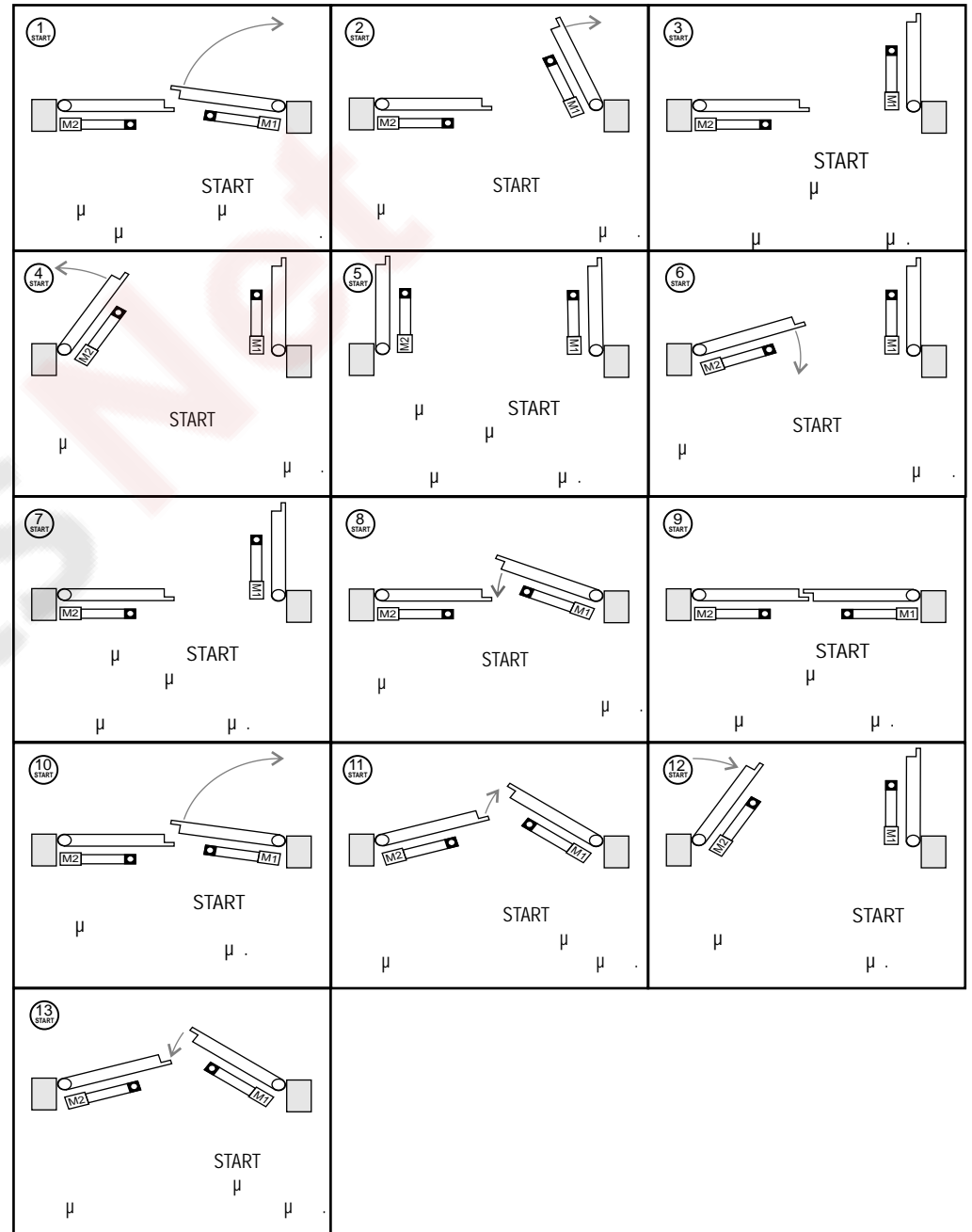
START μ START μ START μ START μ START STOP,
 " JR1 " (μ 1,2,3 6, μ)

DIP SWITCH

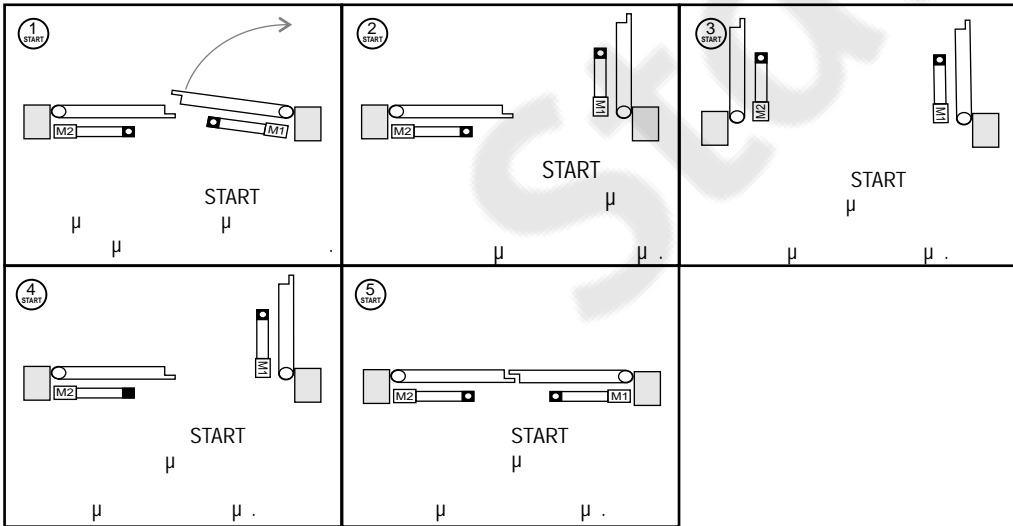
DIP-1	<input type="checkbox"/> On	Condominium
	<input type="checkbox"/> Off	Step By Step
DIP-2	<input type="checkbox"/> On	μ μ (Trimmer)
	<input type="checkbox"/> Off	μ μ
DIP-3	<input type="checkbox"/> On	μ μ μ (Normal)
	<input type="checkbox"/> Off	μ μ μ (Easy)
DIP-4	<input type="checkbox"/> On	Preflashing μ
	<input type="checkbox"/> Off	Preflashing μ

(Normal)

• μ trimmer TORQUE μ
• μ trimmer SLOW μ
• μ μ PROGR PROGR LED
• μ PROGR
• START:
• START:
• START:
• START:
• START:
• START:
• START:
• START:
• START:
• START:
• START:
• START:
• START:
• START:
• START:
• START:
• START:
• μ μ PROGR LED
• μ μ
• μ μ μ μ μ μ μ μ μ
• μ : RESET μ μ (12) μ .



- μ trimmer TORQUE μ
- μ trimmer SLOW μ
- μ μ PROGR RPOGR LED
- μ PROGR
- START:
- START:
- START:
- START:
- μ μ PROGR LED
- μ μ
- μ 2 μ (4 sec.)
- μ (3 sec.)
- μ RESET μ μ (12)



- μ trimmer TORQUE μ
- μ trimmer SLOW μ
- μ μ PROGR μ PROGR LED μ
- μ PROGR μ PROGR LED
- μ PROGR
- START:
- START:
- START:
- μ μ PROGR LED
- μ μ (3 sec.)
- μ RESET μ μ (12) μ

