

## Cat. 6A Module Plug, STP

Part no.: MP0070

### Technical Features

Cat. 6A RJ45 8P8C plug, shielded

With gold plated

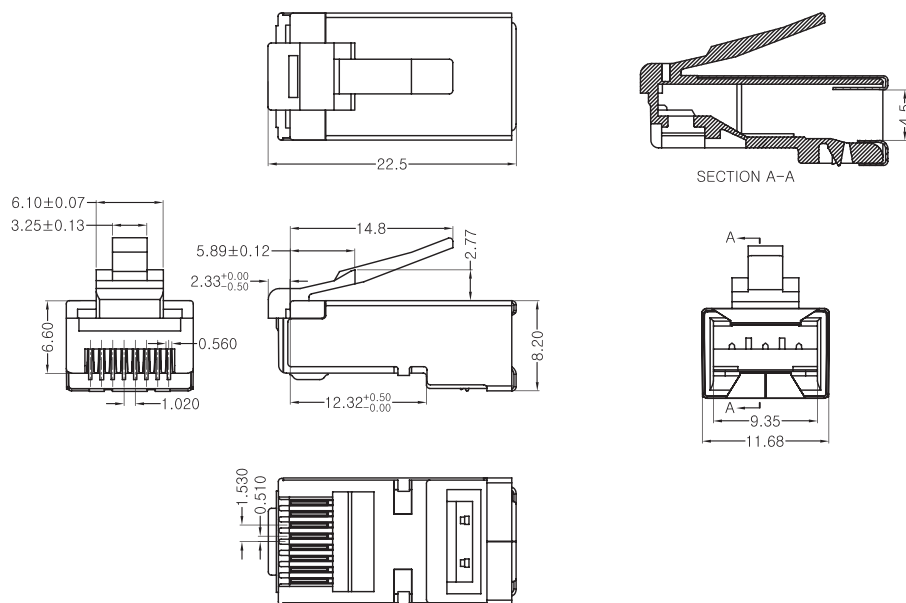
For solid wire AWG23 to AWG26

For stranded wire AWG26 to AWG27

Set incl. plug and 2 guide plate

Set with 50pcs each

### Technical Drawings



MP0070



4 052792 049350

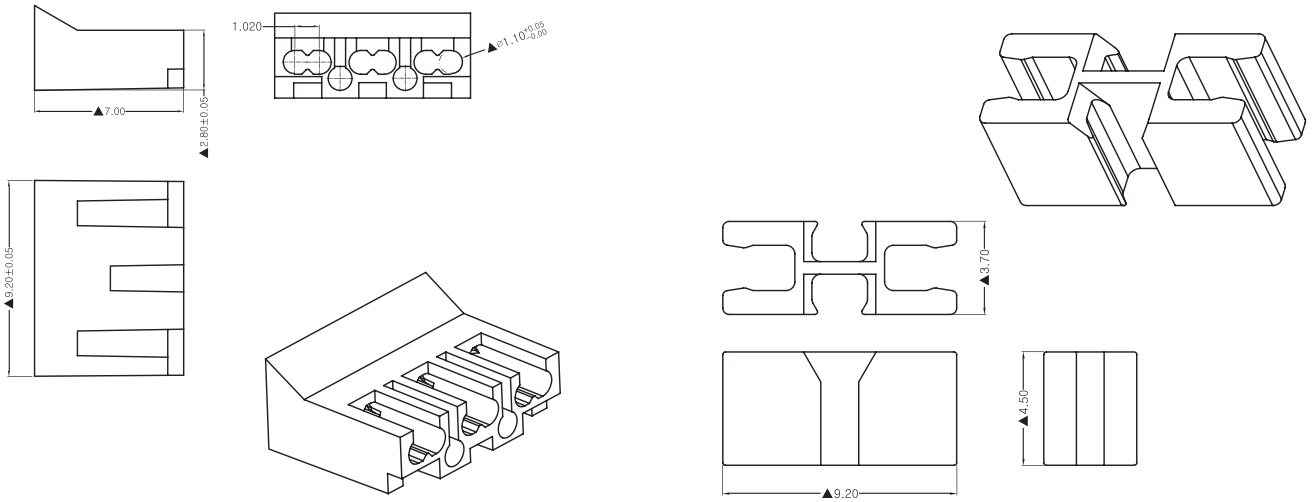
Made in China

www.logilink.de



RoHS  
compliant

\* The specifications and pictures are subject to change without notice.  
\*All trade names referenced are the registered trademark of their respective owners.



## Package Contents

Cat. 6A Module Plug, STP

## Packaging Informations

Packing Dimension	170 x 130 x 30mm
Packing Weight	0.126kg
Carton Dimension	430 x 430 x 345mm
Carton Q'ty	200pcs
Carton Weight	26.1kg



MP0070



4 052792 049350

Made in China

www.logilink.de



RoHS  
compliant

\* The specifications and pictures are subject to change without notice.  
\*All trade names referenced are the registered trademark of their respective owners.