

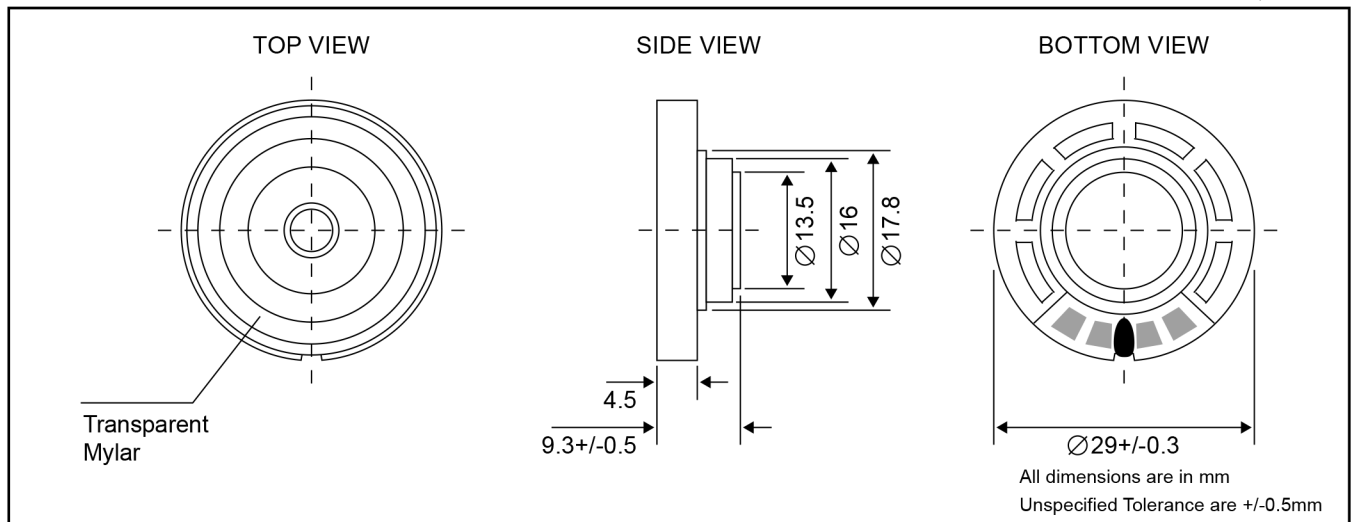
# Mylar Speaker

## MSE29 Series



### DIMENSIONS

Date : 04 Jul.,2016



Ref. no. : CX309-2R



### ELECTRICAL SPECIFICATIONS

Model No.	LD-SP-2908
Diameter	29 +/- 0.3 mm
Height	9.3 +/- 0.5 mm
Back Dia.	16 +/- 0.5 mm
Output S.P.L.	93 +/- 3 dB [ At 0.5W/0.1m, ave. 0.8K, 1.0K, 1.2K, 1.5K Hz ]
Impedance	8 ohm +/- 15%
Resonant Freq. [ Fo ]	750 Hz +/- 20%
Freq. Response	Fo ~ 4K Hz
Rated Input Power	0.5 W
Max. Input Power	0.5 W
Buzzer & Rattles	Must Be Normal [ Sine Wave 2.0 V, F0 ~ 20K Hz ]
Load Test	Must Be Normal [ White Noise 0.5 W, 96 Hours ]
Heat Test	Must Be Normal [ 85 +/- 3 °C, 96 Hours ]
Cold Test	Must Be Normal [ -40 +/- 3 °C, 96 Hours ]
Humidity Test	40 +/- 3 °C, 92 ~ 95% R.H. 96 Hours
Case Material	Plastic
Magnet	External Magnet
Operating Temperature	-40 ~ +85 °C
Storage Temperature	-40 ~ +90 °C
Weight	7.2 g