

SETRON

FILE NO.

085069

REV.

DESCRIPTION

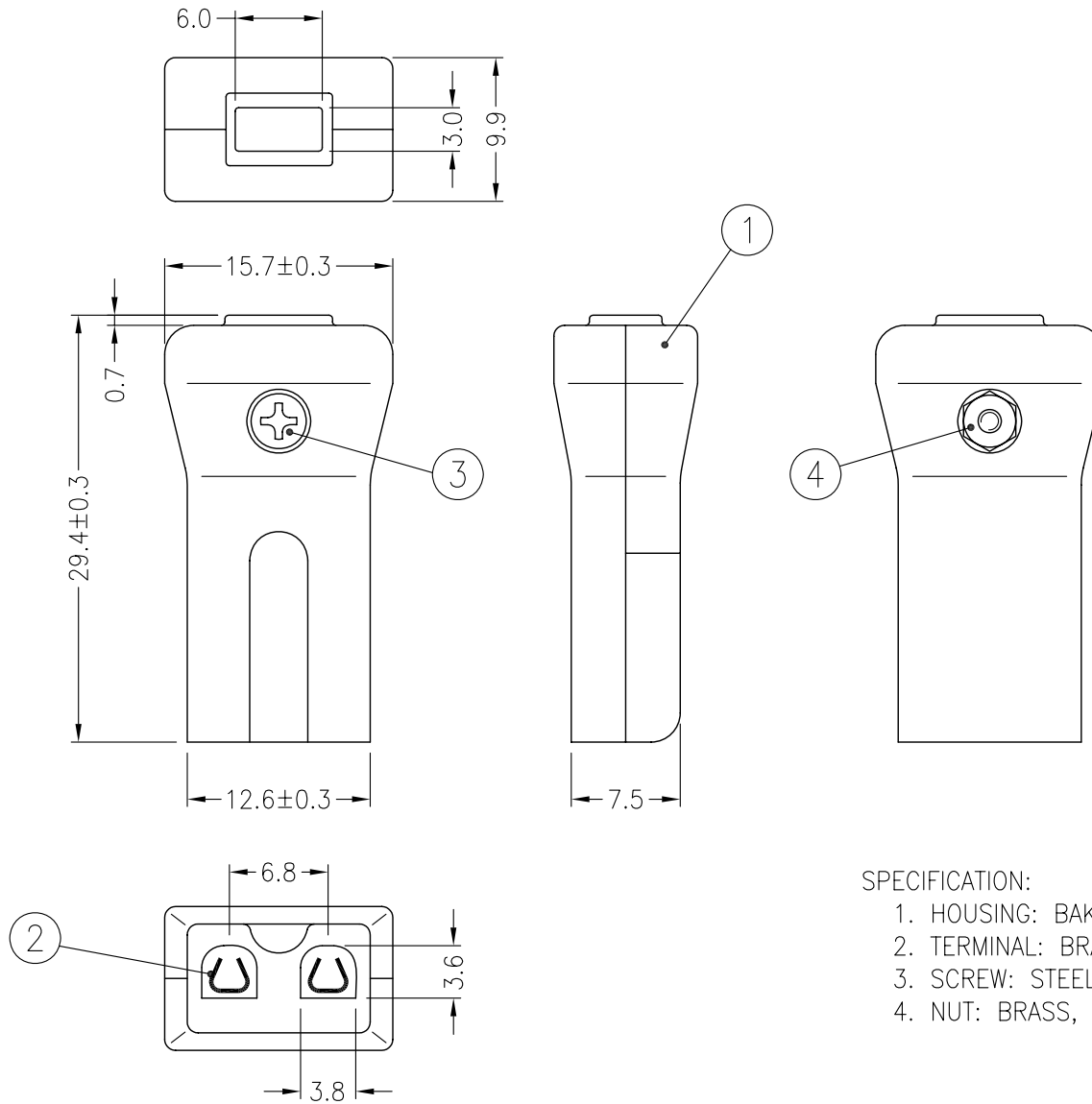
DRAWN / DATE

APPROVED / DATE

0

INITIAL RELEASE

04/21/2008



SPECIFICATION:

- 1. HOUSING: BAKELITE
- 2. TERMINAL: BRASS, NICKEL PLATED
- 3. SCREW: STEEL, NICKEL PLATED
- 4. NUT: BRASS, NICKEL PLATED

DIMENSIONS ARE IN mm [INCH]		TOLERANCES ARE FRACTIONS DECIMALS ANGLES		MATERIAL	2 PIN AC POWER PLUG, 3A 125VAC	P/N	085069	DRAWN		DATE	04/21/2008
MOLD NO.		.x ± 0.2 [0.008]		FINISH		PROJECT NO.					
085069		.xx ± 0.12 [0.005]		COLOR		SCALE	2:1	SIZE	A4	SHEET	1 OF 1