

DS-2CD2T26G1-2I/4I

AcuSense 2 MP IR Fixed Bullet Network Camera



Key Features

- Max. 1920 × 1080 @ 30fps
- 2.8 mm/4 mm/6 mm/8 mm fixed lens
- H.265+, H.264+, H.265, H.264
- 120dB WDR
- False alarm reduction by human and vehicle target classification based on deep learning
- Powered by Darkfighter
- 12 VDC & PoE (802.3at, class 4)
- IR range: Up to 50 m, 80 m, optional
- Support on-board storage, up to 128 GB
- IP67
- BLC/3D DNR/ROI
- Color: 0.005 Lux @ (F1.2, AGC ON), 0.009 Lux @ (F1.6, AGC ON)



Specification

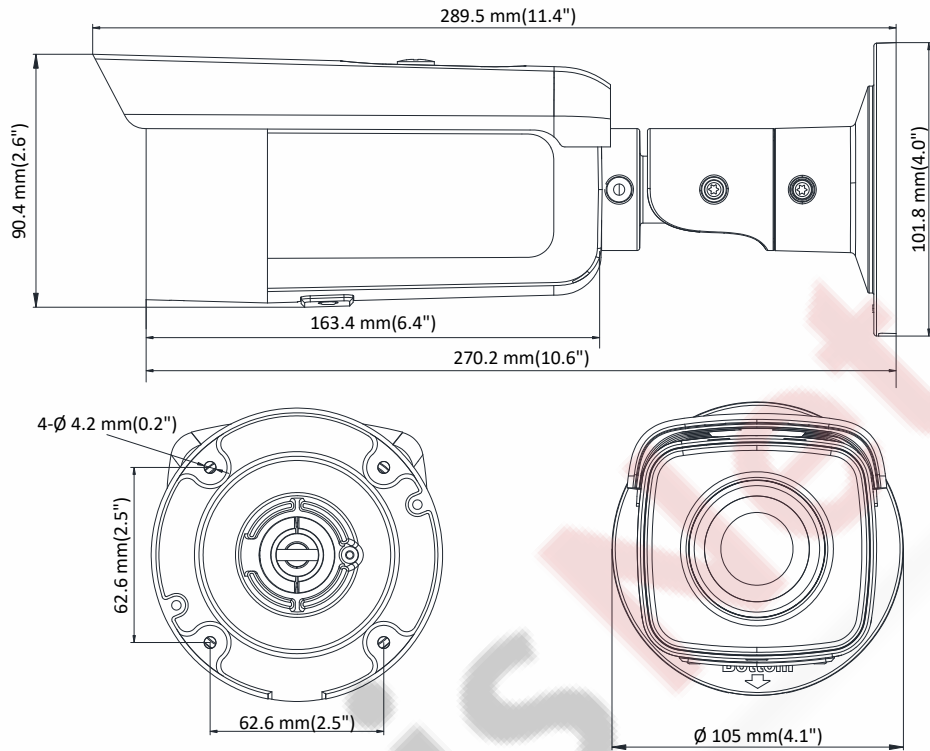
Camera	
Image Sensor	1/2.8" Progressive Scan CMOS
Min. Illumination	0.005 Lux @ (F1.2, AGC ON), 0.009 Lux @ (F1.6, AGC ON)
Shutter Speed	1/3 s to 1/100,000 s
Slow Shutter	Yes
Focal length	2.8/4/6/8 mm
Focus	Fixed
Aperture	F1.6
FOV	2.8 mm, horizontal FOV: 108°, vertical FOV: 58°, diagonal FOV: 128° 4 mm, horizontal FOV: 86°, vertical FOV: 46°, diagonal FOV: 103° 6 mm, horizontal FOV: 52°, vertical FOV: 29°, diagonal FOV: 60° 8 mm, horizontal FOV: 41°, vertical FOV: 22°, diagonal FOV: 47°
Lens Mount	M12
Day & Night	IR cut filter
DNR	3D DNR
Wide Dynamic Range	120dB
3-Axis Adjustment	Pan: 0° to 360°, tilt: 0° to 90°, rotate: 0° to 360°
Compression Standard	
Video Compression	Main stream: H.265/H.264 Sub stream: H.265/H.264
H.264 Type	Main Profile/High Profile
H.264+	Main stream supports
H.265 Type	Main Profile
H.265+	Main stream supports
Video Bit Rate	32 Kbps to 16 Mbps
Image	
Max. Resolution	1920 × 1080
Main Stream	50Hz: 25fps (1920 × 1080, 1280 × 960, 1280 × 720) 60Hz: 30fps (1920 × 1080, 1280 × 960, 1280 × 720)
Sub Stream	50Hz: 25fps (704 × 576, 640 × 480, 352 × 288) 60Hz: 30fps (704 × 576, 640 × 480, 352 × 288))
Image Enhancement	BLC/3D DNR
Image Settings	Saturation, brightness, contrast, sharpness, AGC, white balance adjustable by client software or web browser
ROI (Region of Interest)	Support 1 fixed region for main stream and sub stream separately
Day/Night Switch	Day/Night/Auto/Schedule
Network	
Network Storage	Support micro SD/SDHC/SDXC card (128G) local storage, NAS (NFS,SMB/CIFS), ANR
Alarm Trigger	Tampering alarm, network disconnected, IP address conflict, illegal login, HDD full, HDD error
Protocols	TCP/IP, ICMP, HTTP, HTTPS, FTP, DHCP, DNS, DDNS, RTP, RTSP, RTCP, PPPoE, NTP, UPnP, SMTP, SNMP, IGMP, 802.1X, QoS, IPv6, UDP, Bonjour
General Function	One-key reset, anti-filter
Firmware Version	V5.5.72
API	ONVIF (PROFILE S, PROFILE G), ISAPI

Simultaneous Live View	Up to 6 channels
User/Host	Up to 32 users 3 levels: Administrator, Operator and User
Client	iVMS-4200, Hik-Connect, iVMS-5200, iVMS-4500
Web Browser	IE8+, Chrome 31.0-44, Firefox 30.0-51, Safari 8.0+
Interface	
Communication Interface	1 RJ45 10M/100M self-adaptive Ethernet port
On-board Storage	Built-in micro SD/SDHC/SDXC slot, up to 128 GB
Reset Button	Yes
SVC	H.265 encoding and H.264 encoding support
Smart Feature-set	
Behavior Analysis	Line crossing detection, intrusion detection, region entrance detection, region exit detection, false alarm reduction by human and vehicle target classification based on deep learning When H265+, three streams or motion detection is enabled, the behavior analyses (including line crossing detection, intrusion detection, region entrance detection and region exiting detection) are not supported.
General	
Operating Conditions	-30 °C to +60 °C (-22 °F to +140 °F), humidity 95% or less (non-condensing)
Power Supply	12 VDC ± 25%, 5.5 mm coaxial power plug PoE (802.3at, class 4)
Power Consumption	-2I: 12 VDC, 0.9 A, max: 10 W PoE: (802.3at, 42.5 V to 57 V), 0.3A to 0.1A, max: 12.5 W -4I: 12 VDC, 1.2 A, max: 14 W PoE: (802.3at, 42.5 V to 57 V), 0.4A to 0.1A, max: 17 W
IR Range	-2I: 2LEDs, up to 50 m -4I: 4LEDs, up to 80 m
Wavelength	850 nm
Protection Level	IP67
Material	Front cover: metal, back cover: metal
Dimensions	Camera: $\Phi 105 \times 289.5$ mm ($\Phi 4.1" \times 11.4"$)
Weight	Camera: 1100 g (2.4 lb.) With package: 1600 g (3.5 lb.)

Available Models

DS-2CD2T26G1-2I (2.8/4/6/8 mm), DS-2CD2T26G1-4I (2.8/4/6/8 mm)

Dimensions



Accessories

Distributed by



DS-1275ZJ-SUS
Vertical pole mount



DS-1260ZJ
Junction box



DS-1276ZJ-SUS
Corner mount



DS-1275ZJ-S-SUS
Vertical pole mount

Headquarters

No.555 Qianmo Road, Binjiang District,
Hangzhou 310051, China
T +86-571-8807-5998
overseasbusiness@hikvision.com

Hikvision USA
T +1-909-895-0400
sales.usa@hikvision.com

Hikvision Europe
T +31-23-55-42-770
info.eu@hikvision.com

Hikvision Middle East
T +971-4-8816086
salesme@hikvision.com

Hikvision Russia
T +7-495-669-67-99
saleru@hikvision.com

Hikvision India
T +91-22-28469900
sales@pramahikvision.com

Hikvision Italy
T +39-0438-6902
info.it@hikvision.com

Hikvision France
T +33(0)1-85-330-450
info.fr@hikvision.com

Hikvision Spain
T +34-91-737-16-55
info.es@hikvision.com

Hikvision Poland
T +48-22-460-01-50
poland@hikvision.com

Hikvision UK
T +01628-902140
support.uk@hikvision.com

Hikvision Singapore
T +65-6684-4718
sg@hikvision.com

Hikvision Oceania
T +61-2-8599-4233
salesau@hikvision.com

Hikvision Canada
T +1-909-895-0400
sales.usa@hikvision.com

Hikvision Korea
T +82-31-731-8841
sales.korea@hikvision.com

Hikvision Brazil
T +55 11 3318-0050
Latam.support@hikvision.com

Hikvision Africa
T +27 (10) 0351172
sale.africa@hikvision.com

Hikvision Hong Kong
T +852-2151-1761