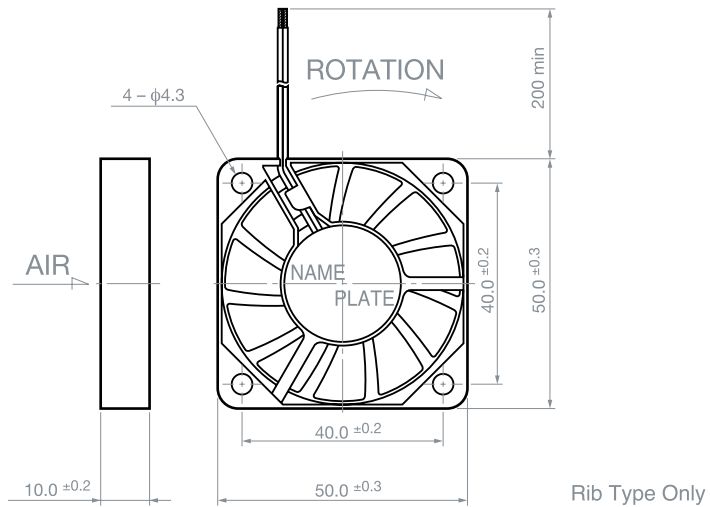
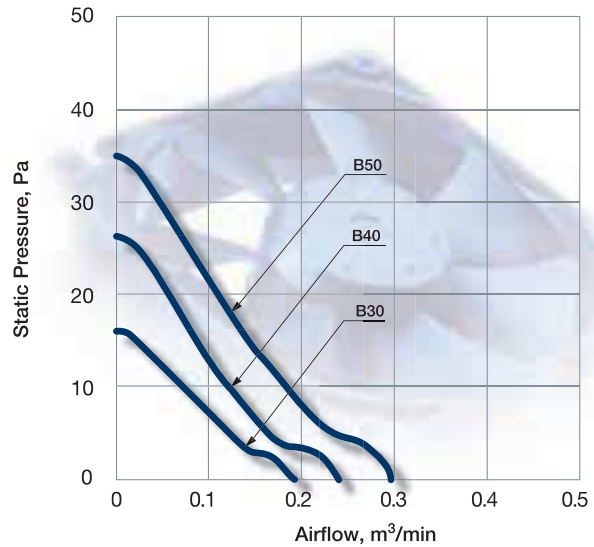


2004KL SERIES DC AXIAL FAN



Specification Data:

- **Dimensions/Type:** 50mm □ x 10mm Axial Fan
- **Motor Protection:** Auto Restart/Reverse Polarity Protection
- **Temperature Range:** -10°C ~ +70°C (Operating)
-40°C ~ +70°C (Storage)
- **Material:** Casing: Plastic (Black) 94V-0
Impeller: Plastic (Black) 94V-0
- **Lead Wire:** UL1061, AWG26, +Red, -Black
- **Weight:** 20g
- **Rotation Direction:** Clockwise
- **Airflow Direction:** Out Over Support Struts



Model	Product No.	Rated Voltage (VDC)	Voltage Range	Current (A)	Input Power (W)	Speed (RPM)	Max. Airflow (m³/min)	Max. Static Pressure (Pa)	Noise (dBA)
2004KL-01W-B30-	X00	5	4.5~6.0	0.10	0.50	3500	0.18	16.0	23.0
2004KL-01W-B40-	X00	5	4.5~6.0	0.16	0.80	4500	0.23	26.0	28.5
2004KL-01W-B50-	X00	5	4.5~6.0	0.30	1.50	5500	0.29	35.0	34.0
2004KL-04W-B30-	X00	12	10.2~13.8	0.04	0.48	3500	0.18	16.0	23.0
2004KL-04W-B40-	X00	12	10.2~13.8	0.07	0.84	4500	0.23	26.0	28.5
2004KL-04W-B50-	X00	12	10.2~13.8	0.10	1.20	5500	0.29	35.0	34.0
2004KL-05W-B30-	X00	24	15.5~27.6	0.04	0.96	3500	0.18	16.0	23.0
2004KL-05W-B40-	X00	24	11.5~27.6	0.06	1.44	4500	0.23	26.0	28.5
2004KL-05W-B50-	X00	24	13.5~27.6	0.08	1.92	5500	0.29	35.0	34.0