



IKUSI
velatia

smartexperience

Base-plate for HTI Headend

The BACK-500 base-plate allows to fix mechanically the HTI product range modules, to distribute the supply lines and to communicate the different modules that are inserted in the headend.



Capacity for 5 modules



Interconnected base-plate



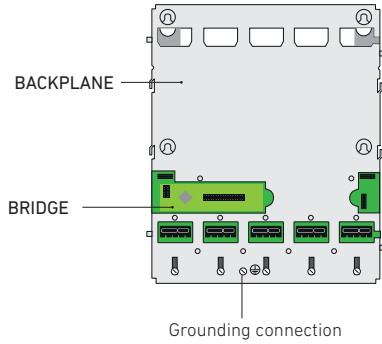
Wall and rack fixing

BACK-500

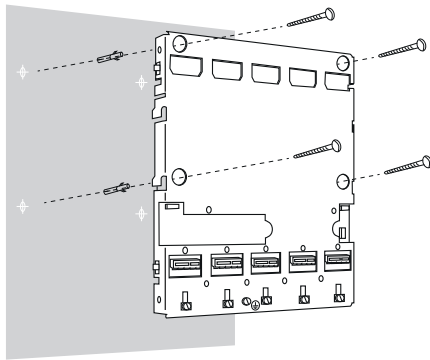
Main feature

- The base-plate is formed by two parts:
 1. Backplane
 2. USB bridge
- The **backplane** is in charge of fixing the modules, distributing the power supply and carrying the communication lines towards the USB bridge.
- The **USB bridge** is in charge of connection all the modules that are inserted in the base-plate with the master module.
- Interconnected base-plate, does not need alimentionation bridges between modules.
- The base-plate can be fixed to the wall or in a rack frame by means **SR-HTI** of fixing accessories (joining 2 base-plates).

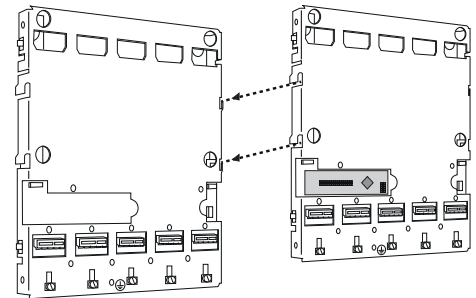
MODEL	BACK-500
REF.	3866
Number of slots	5
Connectors type	PCIe
Dimensions	210 x 257 x 24 mm
Packaged weight	1 kg



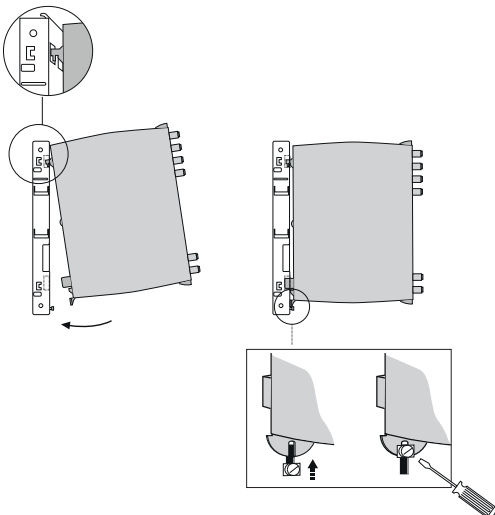
Wall fixing of the base-plate



Horizontal joining of two BACK-500 base-plates



Fitting modules in the base-plate



Rack 19" fixing for two base-plates (BACK-500) headend installation

