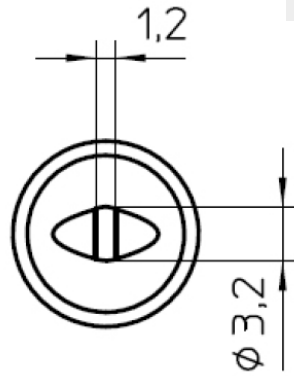
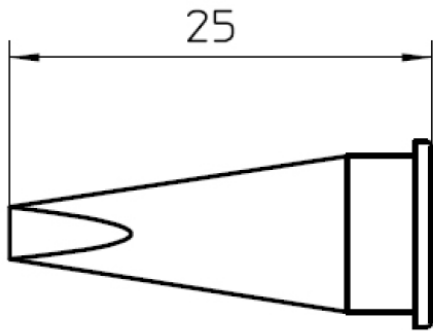


# LHT C

Product no.: T0054445599



## Benefits



**Technical Data**

Tip shape	Chisel shape
Tip type	HM
Width in mm	3.2
Width in inches	0.126
Thickness in mm	1.2
Thickness in inches	0.05
Length mm	25
Length inches	0.984
Power	---
Packaging unit	1