

## DS-2CD2025FWD-I 2 MP Ultra-Low Light Network Bullet Camera



### Key Features

- Up to 2 megapixel high resolution
- Max. 1920 × 1080 @30fps
- 2.8 mm/4 mm/6 mm/8 mm/12 mm fixed lens, optional
- Ultra-low light
- H.265, H.265+, H.264+, H.264
- 120dB Wide Dynamic Range
- 3D Digital Noise Reduction
- 12 VDC & PoE (802.3af)
- IR range: up to 30 m
- Support on-board storage, up to 128 GB
- IP67



## Specification

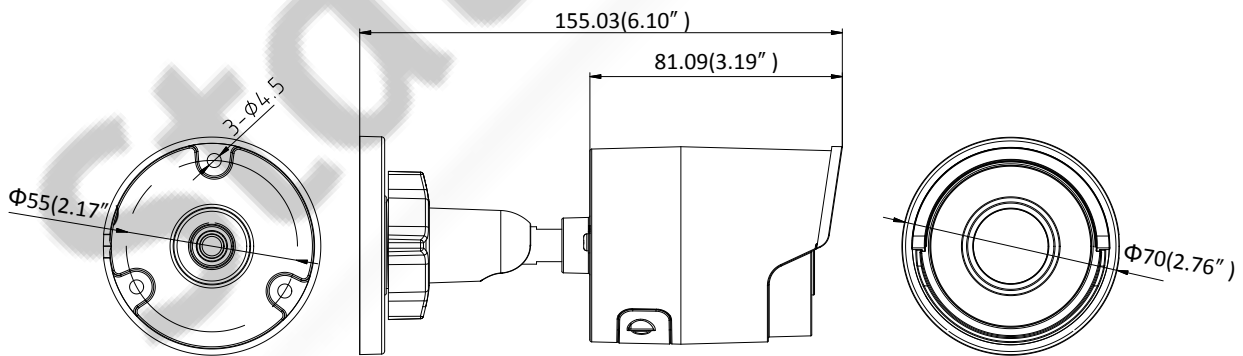
| <b>Camera</b>               |   |
|-----------------------------|---|
| Image Sensor                | 1/2.8" Progressive Scan CMOS  |
| Min. Illumination           | Color: 0.005 lux @(F1.2, AGC ON), 0 lux with IR   |
| Shutter Speed               | 1/3 s to 1/100,000 s  |
| Slow Shutter                | Support   |
| Lens                        | 2.8 mm, horizontal field of view: 108°<br>4 mm, horizontal field of view: 86.4°<br>6 mm, horizontal field of view: 52°<br>8 mm, horizontal field of view: 40°<br>12 mm, horizontal field of view: 25° |
| Lens Mount                  | M12   |
| Iris                        | F1.6  |
| Day & Night                 | IR cut filter   |
| DNR                         | 3D DNR  |
| Wide Dynamic Range          | 120dB   |
| 3-Axis Adjustment (bracket) | Pan: 0° to 360°, tilt: 0° to 90°, rotate: 0° to 360°  |
| <b>Compression Standard</b> |   |
| Video Compression           | Main stream: H.265/H.264<br>Sub stream: H.265/H.264/MJPEG<br>Third stream: H.265/H.264  |
| H.264 Type                  | Main Profile/High Profile   |
| H.264+                      | Support   |
| H.265 Type                  | Main Profile  |
| H.265+                      | Support   |
| Video Bit Rate              | 32 Kbps to 16 Mbps  |
| <b>Image</b>                |   |
| Max. Resolution             | 1920 × 1080   |
| Main Stream                 | 50Hz: 25fps (1920 × 1080, 1280 × 960, 1280×720)<br>60Hz: 30fps (1920 × 1080, 1280 × 960, 1280×720)  |
| Sub Stream                  | 50Hz: 25fps (640 × 360, 352 × 288)<br>60Hz: 30fps (640 × 360, 352 × 240)  |
| Third Stream                | 50Hz: 25fps (1920 × 1080, 1280×720, 640 × 360, 352 × 288)<br>60Hz: 30fps (1920 × 1080, 1280×720, 640 × 360, 352 × 240)  |
| Image Enhancement           | BLC/3D DNR  |
| Image Settings              | Support rotate mode. Brightness, contrast, saturation, and sharpness are adjustable via web browser and client software   |
| ROI (Region of Interest)    | Support 1 fixed region for mainstream and sub stream separately   |
| Day/Night Switch            | Auto/Scheduled  |
| <b>Network</b>              |   |
| Network Storage             | Support microSD/SDHC/SDXC card (128G) local storage, NAS (NFS,SMB/CIFS), ANR  |
| Alarm Trigger               | Motion Detection, Tampering Alarm, Network Disconnected, IP Address Conflict, Illegal Login, HDD full, HDD error  |
| Protocols                   | TCP/IP, UDP, ICMP, HTTP, HTTPS, FTP, DHCP, DNS, DDNS, RTP, RTSP, RTCP, PPPoE, NTP, UPnP, SMTP, SNMP, IGMP, 802.1X, QoS, IPv6  |
| Standard                    | ONVIF (PROFILE S, PROFILE G), PSIA, CGI, ISAPI  |

|                              |  |
|------------------------------|--|
| General Function             | One-key Reset, Anti-Flicker, Heartbeat, Mirror, Password Protection, Privacy Mask, Watermark, IP Address Filter                                      |
| <b>Interface</b>             |  |
| Communication Interface      | 1 RJ45 10M/100M self-adaptive Ethernet port  |
| On-board Storage             | Built-in microSD/SDHC/SDXC slot, up to 128 GB  |
| <b>Smart Feature-set</b>     |  |
| Behavior Analysis            | Line crossing detection, intrusion detection, unattended baggage detection, object removal detection   |
| Line Crossing Detection      | Cross a pre-defined virtual line, up to 1 pre-defined virtual lines supported  |
| Intrusion Detection          | Enter and loiter in a pre-defined virtual region, up to 1 pre-defined virtual regions supported  |
| Object Removal Detection     | Objects removed from the pre-defined region, such as the exhibits on display.  |
| Unattended Baggage Detection | Objects left over in the pre-defined region such as the baggage, purse, dangerous materials  |
| Face Detection               | Human face appears in the image can be detected and trigger linkage method   |
| <b>General</b>               |  |
| Operating Conditions         | -30 °C to +60 °C (-22 °F to +140 °F), Humidity 95% or less (non-condensing)  |
| Power                        | 12 VDC ± 25%, 5W<br>PoE(802.3af, class 3), 6.5W  |
| IR Range                     | Up to 30 m   |
| Protection Level             | IP67   |
| Dimensions                   | Camera: $\Phi 70 \times 155.03$ mm ( $\Phi 2.76'' \times 6.1''$ )<br>Package: $216 \times 121 \times 118$ mm ( $8.5'' \times 4.76'' \times 4.65''$ ) |
| Weight                       | Camera: 410 g (0.9 lb.)  |

## Available Models

DS-2CD2025FWD-I

## Dimensions



Unit: mm

**Accessories**

DS-1280ZJ-XS  
Junction Box

Distributed by



**HIKVISION®**

**Headquarters**

No.555 Qianmo Road, Binjiang District,  
Hangzhou 310051, China  
T +86-571-8807-5998  
overseasbusiness@hikvision.com

**Hikvision USA**  
T +1-909-895-0400  
sales.usa@hikvision.com

**Hikvision Italy**  
T +39-0438-6902  
info.it@hikvision.com

**Hikvision Singapore**  
T +65-6684-4718  
sg@hikvision.com

**Hikvision Africa**  
T +27 (0) 0351172  
sale.africa@hikvision.com

**Hikvision Europe**  
T +31-23-55-42-770  
info.eu@hikvision.com

**Hikvision France**  
T +33(0)1-85-330-450  
info.fr@hikvision.com

**Hikvision Oceania**  
T +61-2-8599-4233  
salesau@hikvision.com

**Hikvision Hong Kong**  
T +852-2151-1761

**Hikvision Middle East**  
T +971-4-8816086  
salesme@hikvision.com

**Hikvision Spain**  
T +34-91-737-16-55  
info.es@hikvision.com

**Hikvision Canada**  
T +1-909-895-0400  
sales.usa@hikvision.com

**Hikvision Russia**  
T +7-495-669-67-99  
sateru@hikvision.com

**Hikvision Poland**  
T +48-22-460-01-50  
poland@hikvision.com

**Hikvision Korea**  
T +82-31-731-8841  
sales.korea@hikvision.com

**Hikvision India**  
T +91-22-28469900  
sales@pramahikvision.com

**Hikvision UK**  
T +01628-902140  
support.uk@hikvision.com

**Hikvision Brazil**  
T +55 11 3318-0050  
Latam.support@hikvision.com