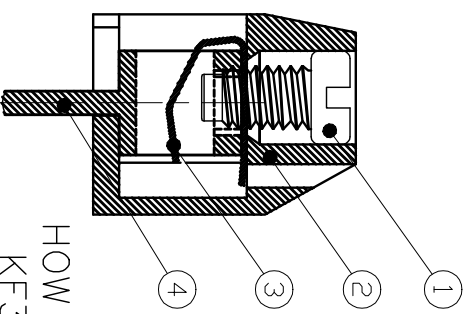
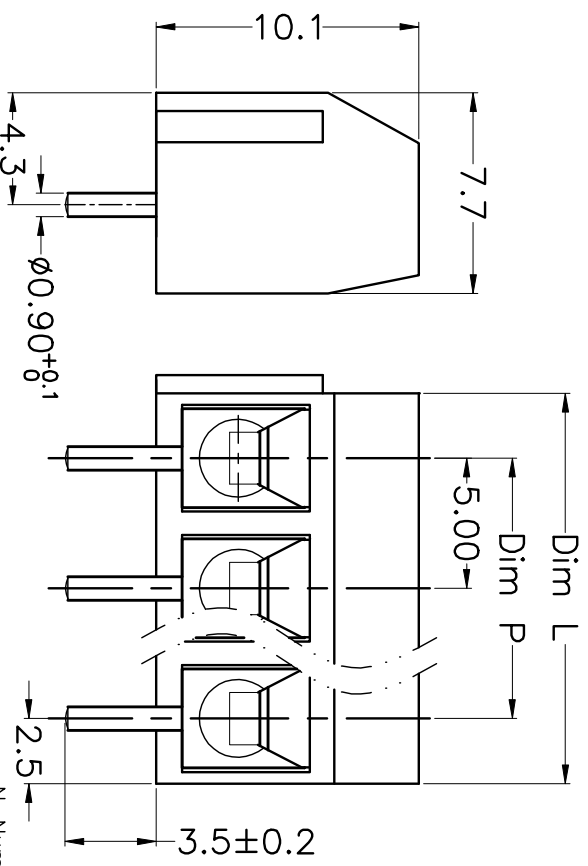
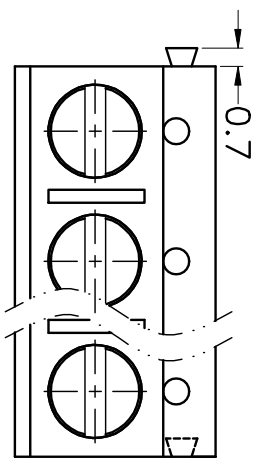


REV.	DESCRIPTION	DATE	DRAWN	APPROVED
A1	DWG.REL	2016/10/7	FANG	YANG



- Material
 - ①Screws : M2.5 steel, Zinc plated,
 - ②“-”slot type
 - ③Housing : PA66, UL94V-0
 - ④Reed : Phosphor bronze, Ni plated or stainless steel
 - ⑤Pin header : Brass, Tin plated

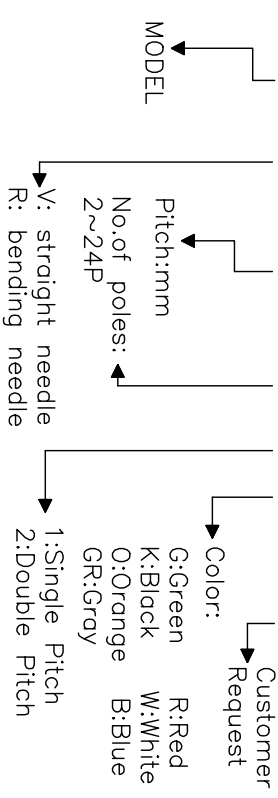
- Electrical

UL	IEC
Rated voltage : 300V	250V
Rated current : 12A	17.5A
Insulation resistance: 500M Ω /DC500V	
Withstanding Voltage : AC2000V/1min	
Wire range: 22-14AWG	2.5mm ²

- Mechanical
 - Operating temperature: -30°C~+120°C
 - Soldering temperature: 250°C \pm 5/5sec
 - Torque: 0.4N.m (3.54Lb.in)
 - Strip length: 4.5-5mm

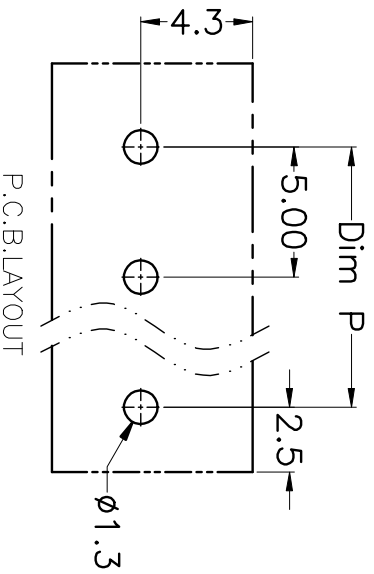
HOW TO ORDER

KF301 V -5.0-XXP-1 X-XXXXX



N=Number of Poles
Dim A P=(N-1)x5.00
Dim L L=Nx5.00

Poles	Dim A	Dim P	Dim L
2-6P	± 0.10	± 0.15	± 0.15
7-12P	± 0.20	± 0.20	± 0.20
13-18P	± 0.25	± 0.30	± 0.30
19-24P	± 0.30	± 0.40	± 0.40



GENERAL TOLERANCE		ANGLE TOLERANCE	
X.	± 0.5	X.	$\pm 5'$
.X	± 0.3	.X.	$\pm 3'$
.XX	± 0.1	.XX.	$\pm 1'$

DRAWING TYPE	CUSTOMER	SHEET	OF
SCALE	1:1	1	1

DRAWING NO.	XP0012016-xxxx
-------------	----------------

PROJECTION: TITLE: KF301V-5.0-XXP

UNITS	SHEET SIZE	SERIES
mm	A4	KF301V

KF 慈溪市凯峰电子有限公司
KAIFENG ELECTRONIC CIXI KAIFENG ELECTRONIC CO.,LTD