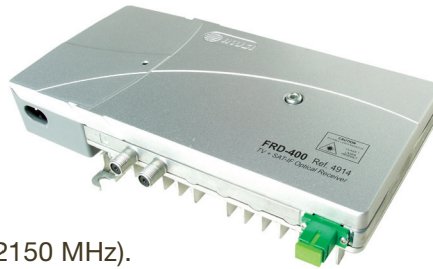


Compact TV+Sat-IF Optical Receiver

FRD400

REF. 4914



- 1 optical input (1290-1600 nm), 1 RF output (45-2150 MHz).
- Connection of singlemode type optical fibre.
- Especially designed for the delivery of terrestrial and satellite signals (analog and digital) over large collective installations.

FRD-400

Input optical power	dBm	-4...+1
Output RF bandwidth	MHz	45 – 862 (TV) and 950 – 2150 (IF)

Optical section

Optical wavelength	nm	1290 – 1600
Optical output return loss	dB	> 50
Optical input connector type		SC/APC 8°

RF forward way

RF flatness	dB	±1.5 (TV), ±2 (IF)
RF output level*	Analogue TV	119 ¹ /104 ²
	IF	120 ³ /105 ⁴
CNR	Analogue TV	52,5 ⁵ /50 ⁶
	IF	36 ⁷ /33,5 ⁸
CTB	dB	58 ⁵ /60 ⁶
CSO	dB	59 ⁵ /63 ⁶
Variable attenuator for TV	dB	0 – 15
Slope control range for TV	dB	0 – 15
Variable attenuator for IF	dB	0 – 15
Slope control range for IF	dB	0 – 10
Output return loss	dB	>12 (TV), 10 (IF)
Output test	dB	-30
Output & Test connectors		F

General

Mains voltage	V _{AC}	230 – 240
Consumption	W	15
Dimensions	mm	222 x 140 x 44

* Measured in a typical 1310 nm transmission system with FTD-420 laser transmitter.

¹ -60dB IMD3 (DIN 45004B)

² With 42 Cenelec carriers and 4% OMI

³ -35dB IMD3 (EN 50083-3)

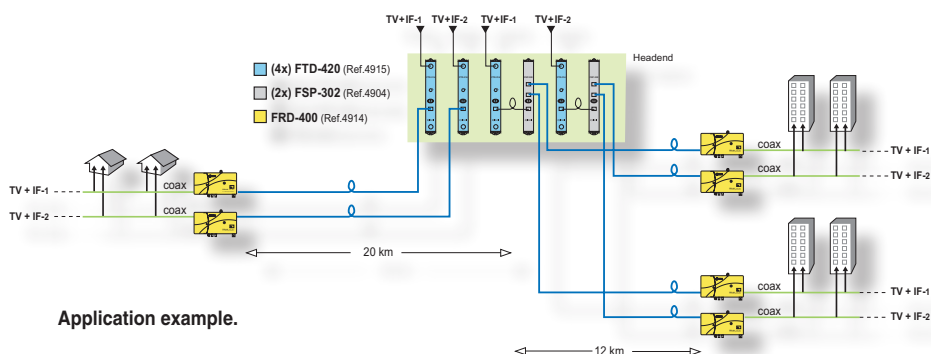
⁴ 1.6% OMI5

⁵ For maximum optical input power and note2-marked RF output level.

⁶ For minimum optical input power and note2-marked RF output level.

⁷ For maximum optical input power and note4-marked RF output level.

⁸ For minimum optical input power and note4-marked RF output level.



Ángel Iglesias, S.A.
Paseo Miramón, 170
20009 San Sebastián, Spain
Tel. +34 943 44 88 00

Fax +34 943 44 88 20
ikusi@ikusi.com
www.ikusi.com