

FTD420

REF. 4915

- Solution for distribution of terrestrial TV and satellite IF signals (analog and digital) over large collective installations.
- Connection of singlemode type optical fibre.
- Ultralineal, APC-controlled, 4 mW DFB (Distributed Feedback) laser.
- Fully compatible with PAL, SECAM, NTSC, FM, DVB-S, DVB-T, DVB-C and other standards.
- TV and SAT-IF separate ways with very high RF amplification gain.
- Independent OMI settings for TV and SAT-IF.



FTD-420

Optical output power	mW	4 (=6 dBm)
RF inputs	2: TV (45-862 MHz), IF (950-2150 MHz)	

Optical section

Optical wavelength	nm	1310 (± 20)
Relative intensity noise (RIN) of the laser	dB/Hz	< -150
Optical output return loss	dB	> 50
Optical output connector	SC / APC 8°	

RF section

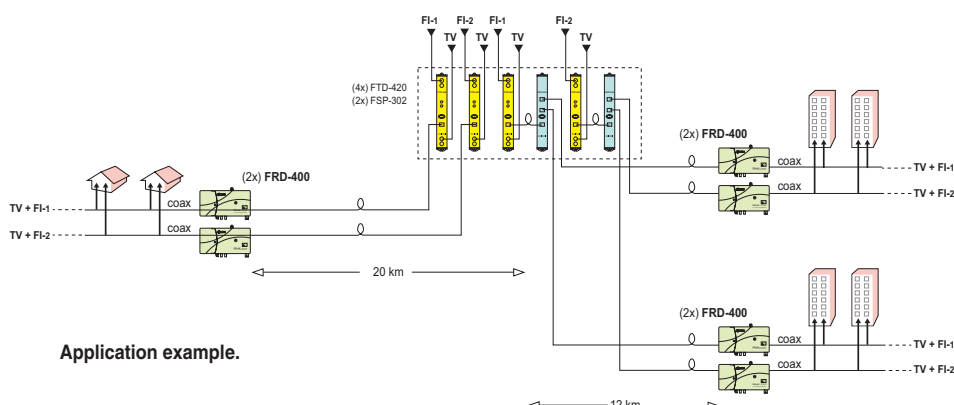
TV input level (for OMI 4% CENELEC carriers)	dB μ V	72 — 87
IF input level (for OMI 1.6%)	dB μ V	72 — 87
RF flatness	dB	± 0.75 (TV), ± 1 (IF)
Adjustm. of TV level to laser (TV-OMI)	dB	-15 — 0
Adjustm. of IF level to laser (IF-OMI)	dB	-15 — 0
RF input impedance	Ω	75
RF input return loss	dB	>12 (TV), >10 (IF)

General

TV y FI connectors	F	
Test, OMI-TV and OMI-FI connectors	F	
Power requirements	+12 V _{DC} / 650mA	
DC connector type	banana socket	
Dimensions	mm	230 x 195 x 32

The module is packed with:

- 1 DC plug bridge, 53 mm in length, for +12V_{DC} cascade.



Application example.