

# Mini Horn – Signal Beacon KLL - KDL Mini Horn – Strobe Beacon KLF - KDF



KLL – KLF

KDL – KDF



push button for easy opening

## KLL – KDL



Steady light (GL)



LED Steady light (LLL)



LED Flashing light (LLB)

## KLF – KDF

Xenon strobe light



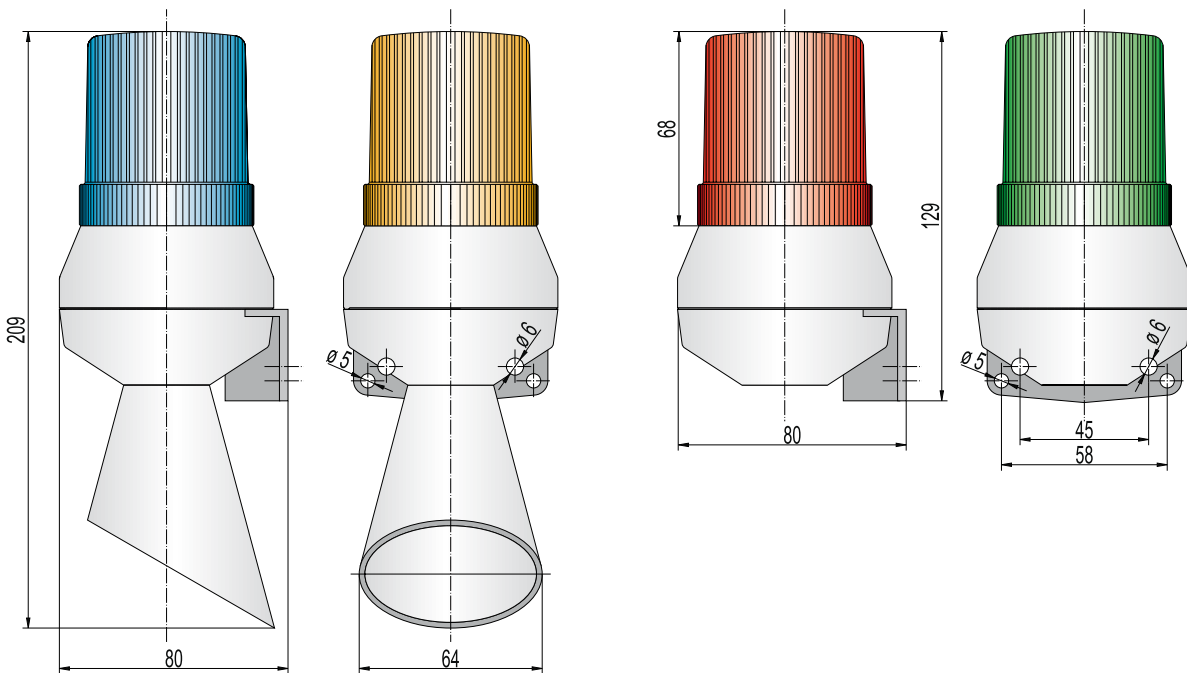
## Technical data

Type	KLL - KDL	KLF - KDF
Housing, Colour	ABS, grey RAL 7035	
Lens colour	amber, red, yellow	
Cable entry	6,5-15 mm	
Cable conduit	surface or buried	
Mounting	sound outlet downwards	
Duty cycle factor	100 %	
Protection class	IP 43 NEMA type 2	
Radio noise suppression	acc. to CENELEC EN 55014	
Terminals	up to 2,5 mm <sup>2</sup>	
Socket	BA 15 d	
Temperature range	-20 °C to +50 °C	
Max. sound pressure	88-92 dB	
Strobe energy		1 J
Strobe frequency		1,4 Hz
Flashing frequency	~ 2 Hz	
Life time		min. 10 mio. flashes
Weight	please refer to general weight list	

## Features

- Combination of an electromechanical horn with signal beacon or strobe beacon
- For universal visual-audible applications
- Signal beacon Ø 60 mm
- Beacon options:
  - steady light with bulb or LED bulb (LLL)
  - flashing light with LED bulb (LLB)
  - strobe light
  - xenon strobe light
- Models with or without cone
- Sound and light separately switchable
- Attractive price/performance ratio
- 2 mounting widths





### Order data

Type	Nominal voltage (V)	Hz	Order No.		Nominal current (A) incl. bulb
			KLL (with cone)	KDL (without cone)	
Mini horn - Signal beacon	24 V AC	50	710 11C 105	710 01C 105	0,400
	48 V AC	50	710 11C 108	710 01C 108	0,200
	230 V AC	50	710 11C 113	710 01C 113	0,040
	120 V AC	60	710 11C 210	710 01C 210	0,076
	24 V DC		710 11C 005	710 01C 005	0,320
Mini horn - Strobe beacon	24 V DC		710 12C 005	710 02C 005	0,120
	120 V AC	60	710 12C 210	710 02C 210	0,050
	230 V AC	50	710 12C 113	710 02C 113	0,026

NOTE: only available in amber, red and yellow

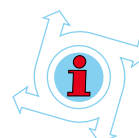


### Accessories

Type	Nominal voltage (V)	Order No.
<b>Bulbs BA15d</b>		
GL01	12 V, 5 W	890 010 904
GL02	24 V, 6,5 W	890 010 905
GL03	48 V, 5 W	890 010 908
GL04	60 V, 7 W	890 010 909
GL05	110/120 V, 6 W	890 010 910
GL06	230/240 V, 6 W	890 010 913
<b>LED bulbs BA15d</b>		<b>Steady light</b>
LLL	12 V AC/DC	893 00C 404
	24 V AC/DC	893 00C 405
	48 V AC/DC	893 00C 408
	110/120 V AC	893 00C 310
	230/240 V AC	893 00C 313
		<b>Flashing light</b>
LLB	12 V AC/DC	893 01C 404
	24 V AC/DC	893 01C 405
	48 V AC/DC	893 01C 408
	110/120 V AC	893 01C 310
	230/240 V AC	893 01C 313

#### Colour code for lens

1	amber	C
2	red	
7	yellow	



#### NOTE:

Light sources have to be ordered separately (pls. refer to order data accessories).