

Signal Horns HPT-HTG

HPT



HTG



Features

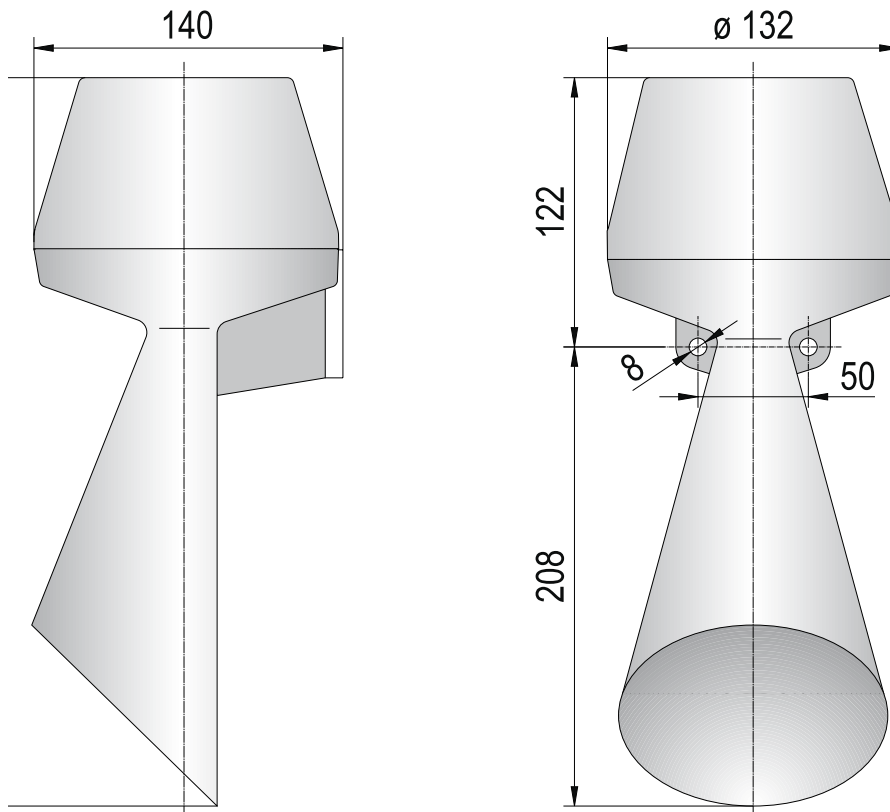
- ▶ Loud, well designed and robust electromechanical signal horns
- ▶ Housing options:
impact resistant synthetic housing (HPT)
aluminium die-cast housing (HTG)
- ▶ Screw holes steel fortified (HPT)



Technical data

Type	HPT	HTG
Housing, colour	ABS, grey RAL 7035	aluminium die-cast epoxy-powder coated RAL 7000/7015
Terminal	up to 2,5 mm ²	
Cable entry	7-10 mm	4,5-12 mm
Cable conduit	surface or buried	
Mounting	sound outlet downwards	
Duty cycle factor	100 %	
Protection class	IP 55	IP 65
Radio noise suppression	acc. to CENELEC EN 55014	
Temperature range	-20 °C to +50 °C	
Max. sound pressure	108 dB	
Weight	800 g	1600 g





Order data

Nominal voltage (V)	Hz	Order No.		
		HPT	HTG	Nom. current (A)
24 V AC	50	712 100 105	713 100 105	1,200
48 V AC		712 100 108	713 100 108	0,500
110 V AC		712 100 110	713 100 110	0,200
230 V AC		712 100 113	713 100 113	0,100
120 V AC	60	712 100 211	713 100 211	0,200
240 V AC		712 100 213	713 100 214	0,110
24 V DC	--	712 100 005	713 100 005	0,600
110 V DC	--	712 100 010	713 100 010	0,200
220 V DC	--	712 100 013	713 100 013	0,100