

Mini Horns KLH-KDH

KLH-KDH



push button for easy opening/locking of horn

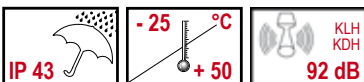
Features

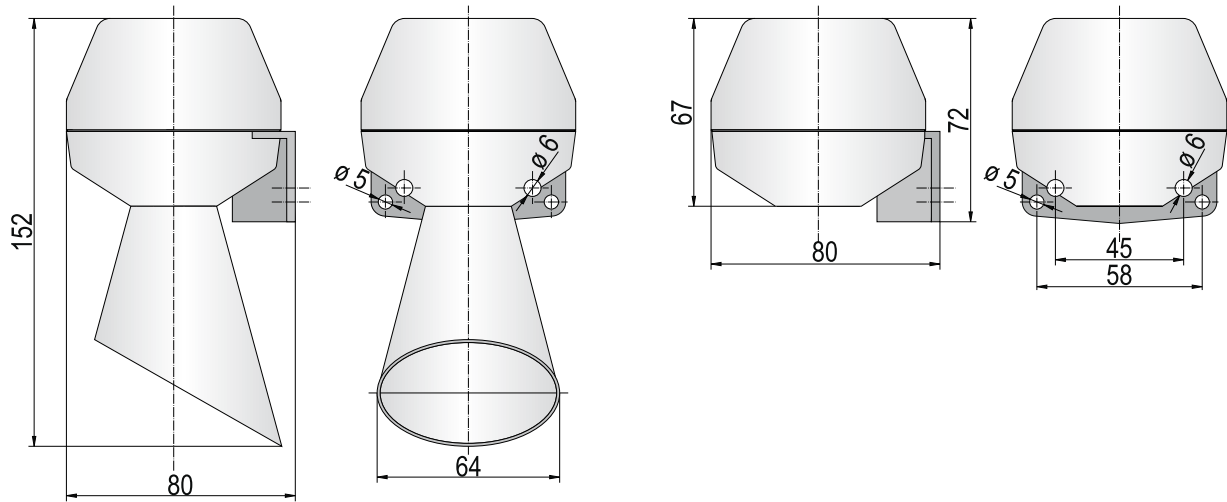
- ▶ Electromechanical horns in smaller design
- ▶ For universal audible applications
- ▶ Models with (KLH) or without cone (KDH)
- ▶ Attractive price/performance ratio
- ▶ 2 mounting widths



Technical data

| Type | KLH | KDH |
|-------------------------|---------------------------|-------|
| Housing, colour | ABS, grey RAL 7035 | |
| Terminal | up to 2,5 mm ² | |
| Cable entry | 6,5-15 mm | |
| Cable conduit | surface or buried | |
| Mounting | sound outlet downwards | |
| Duty cycle factor | 100 % | |
| Protection class | IP 43 NEMA type 2 | |
| Radio noise suppression | acc. to CENELEC EN 55014 | |
| Temperature range | -25 °C to +50 °C | |
| Max. sound pressure | 88-92 dB | |
| Weight | 180 g | 150 g |



KLH-KDH

Order data

| Nominal voltage (V) | Hz | Order No. | | |
|---------------------|----|-----------------|--------------------|---------------------|
| | | KLH (with cone) | KDH (without cone) | Nominal current (A) |
| 24 V AC | | 710 100 105 | 710 000 105 | 0,090 |
| 48 V AC | | 710 100 108 | 710 000 108 | 0,060 |
| 110 V AC | | 710 100 110 | 710 000 110 | 0,021 |
| 230 V AC | | 710 100 113 | 710 000 113 | 0,011 |
| 12 V DC | | 710 100 004 | 710 000 004 | 0,055 |
| 24 V DC | | 710 100 005 | 710 000 005 | 0,026 |
| 110 V DC | | 710 100 010 | 710 000 010 | 0,011 |
| 220 V DC | | 710 100 013 | 710 000 013 | 0,011 |