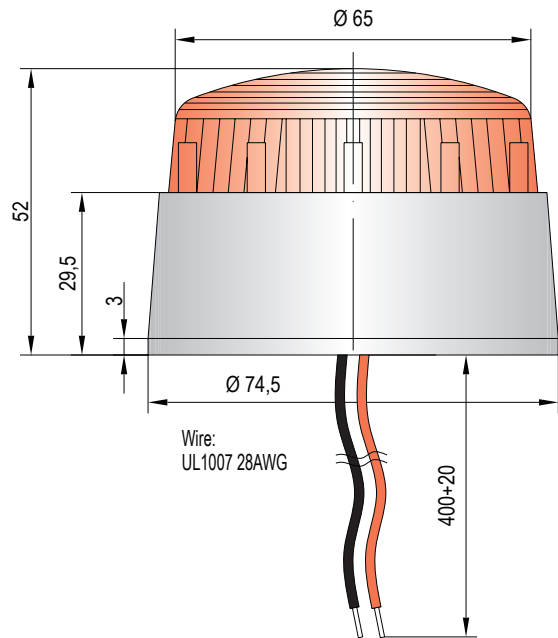
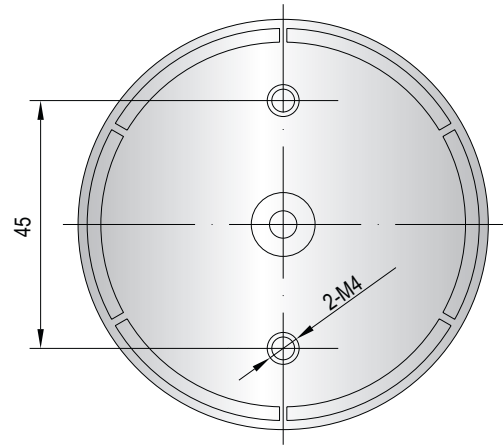


Strobe Beacon XB2



Features

- Cost effective small strobe beacon
- Simple mounting
- Optional mounting adapter included
- Pre-wired ready to use (~ 400 mm cable)



Technical data

Type	XB2
Housing, colour	ABS, black RAL 9005
Lens, colour	polycarbonate amber, red, clear, blue, green
Duty cycle factor	100 %
Temperature range	-20 °C to +70 °C
Light source	xenon tube
Flashing frequency	~ 1 Hz
Life time (light source)	~ 500.000 flashes



Order data

Type	Nominal voltage (V)	Order No.	Nominal current (A)	Weight (g)
XB2	12 V DC	D118 52C 004	0,200	110
	24 V DC	D118 52C 005	0,100	
	24 V AC	D118 52C 305	0,220	120
	230 V AC	D118 52C 313	0,025	

Colour code for lens

1	amber	5	blue
2	red	6	green
4	clear		