

## DS-1272ZJ-110-TRS

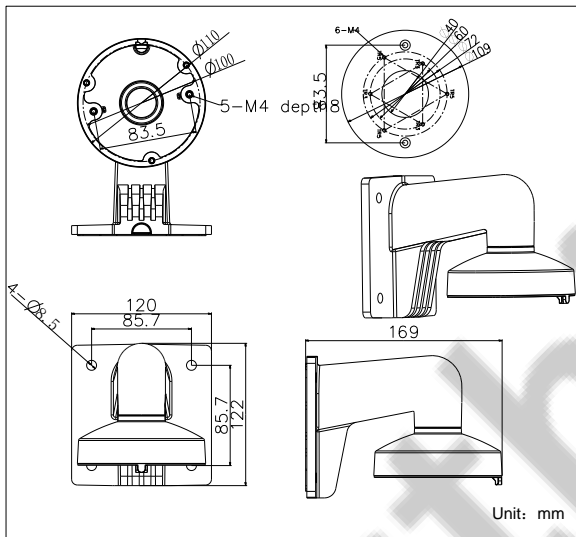
Wall Mounting Bracket for 55X2 Series

Mini Dome Camera

### Features:

- Aluminum alloy material with surface spray treatment
- Good feature with the hole of cable entrance
- Better water proof design
- Convenient installation with the design of cap

### Dimension:



### Order Model:

DS-1272ZJ-110-TRS



### Parameter:

Model	DS-1272ZJ-110-TRS
Parameters	Wall Mounting Bracket for Dome Camera
Appearance	Hik White
Range of Application	55X2 Series Mini Dome Camera
Material	Aluminum Alloy
Dimension	110×120×120mm
Weight	545g

### Notice:

- Pay attention to the color matching when select bracket
- The bracket should be installed on flat wall
- The wall must be capable of supporting over 3 times as much as the total weight of the camera and the mount.
- The maximum load capacity of the bracket is 4.5KG
- The bracket includes gang box

### Model Suitable:

DS-2CC55X2P(N)-IR, DS-2CE55X2P(N), DS-2CC5132P(N)-IRP