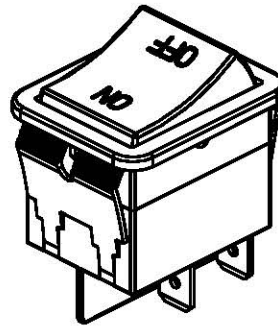
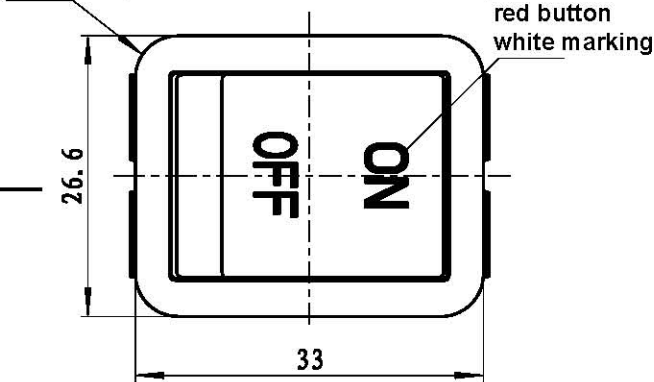
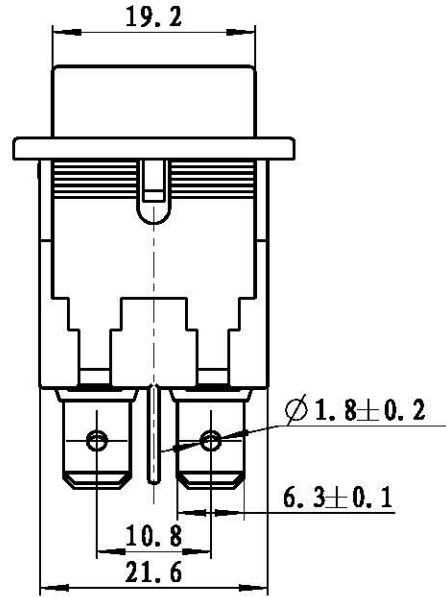
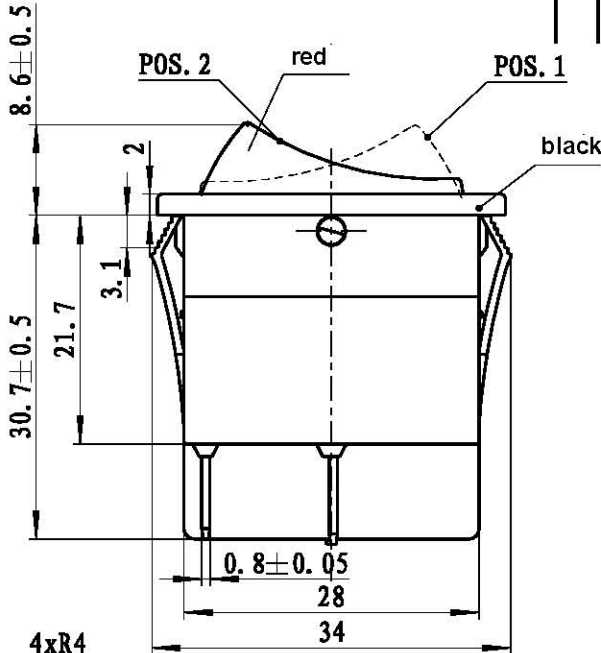


1113040048

Rejigger Index

REV.	mark	Qty	Verified Content	Description	Verified /Date	Rejigger /Date

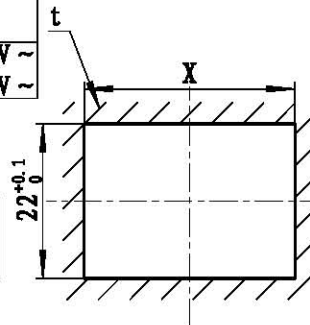


1:1

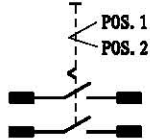
Approval and Rating

Standard	EN61058	GB15092	UL1054
Rating	18 (12) A 250V ~	18 (12) A 250V ~	20A 125/250V ~ 2HP 125/250V ~

Mounting size



Circuit Diagram



t	X
1.5 ~ 2	30.2 ^{+0.1} ₀
2 ~ 3	30.4 ^{+0.1} ₀

Technical requirement

- 1.Type:HY12-9-4;
- 2.Degree of protection:IP55;
- 3.Operating cycles: 5E4;
- 4.Function: DPST,ON-OFF

Common use register

Drawing

Collation

Old Bottom drawing No.

Bottom drawing No.

Signature

Collated by

Date

Technics

Tolerance Not Marked

Basic Dimension	>0 ~ 6	>6 ~ 30	>30 ~ 120	>120 ~ 300
Tolerance	± 0.1	± 0.3	± 0.5	± 1

ASSEMBLE OUTLINE

Phase Mark REV. Scale

S A 1.5:1

Current Page Total Page

KEDU ELECTRIC

111304034
PUSH BUTTON SWITCH

1113040048

Designed by	池天辉	20161114	Standard		
Examined by	廖军	20161209	Examined by		
Drawn by	叶乐生	20161219	Drawn by	池天辉	20161114
Approved by			Approved by	李子平	20161221