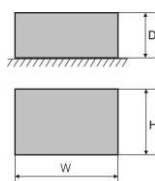
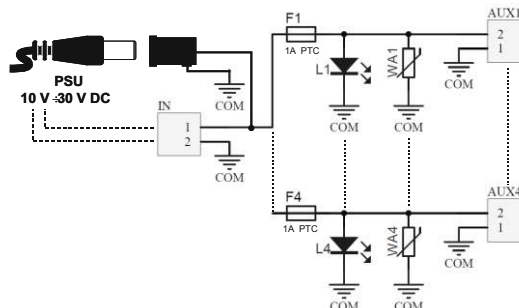
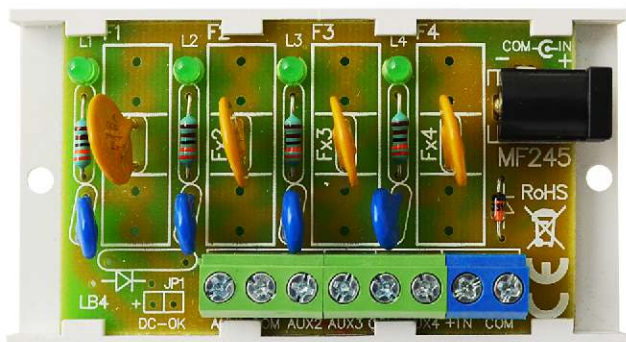


CODE: **AWZ575 v.1.0/III**
NAME: **LB4A/1A/PTC fuse module**

EN



DESCRIPTION

The fuse module is intended for dividing power in low-voltage alarm systems (power distribution) that require voltage within the range of: 10 V ÷ 30 V DC. It contains two power inputs: a screw connector and a DC 5,5/2,1 outlet and four power outputs AUX1÷AUX4 which are independently secured with PTC1A polymer fuse. An activation of the PTC fuse is indicated by an appropriate LED going out: L1 for AUX1, L2 for AUX2 etc. Additionally, each output is secured by a varistor which protects the PSU and the receivers against surges in the power circuit.

SPECIFICATIONS

Supply voltage	10 V ÷ 30 V DC
Output voltage	$U_{AUX} = U_{IN}$ (equal to supply voltage)
Current consumption	5 mA ÷ 30 mA @ $U_{IN} = 10 V ÷ 30 V DC$
Number of power inputs	2: a DC 5,5/2,1 outlet or a screw connector
Number of power outputs	4 (AUX terminals)
Protections against: - a short circuit SCP - an overload OLP - a surge	- 4 x 1A PTC - 4 x 1A PTC - varistors
LED indication	Green LEDs L1 ÷ L4 –AUX1÷AUX4 outputs status
F1 ÷ F4 fuses	4 x 1A PTC
Operating conditions	II environmental class, -10°C ÷ 50°C
Dimensions	80 x 43 x 21 (WxHxD)
Fixing	a mounting tape or dowel pins x2 (holes Ø3mm)
Connectors: - of power output - of power input	- screw connectors $\Phi 0,41 \div 1,63$ (AWG 26-14) - a DC 5,5/2,1 outlet or a screw connector $\Phi 0,41 \div 1,63$ (AWG 26-14)
Net/gross weight	0,039kg / 0,056kg
Declarations, warranty	CE, RoHS, 2 year from the production date