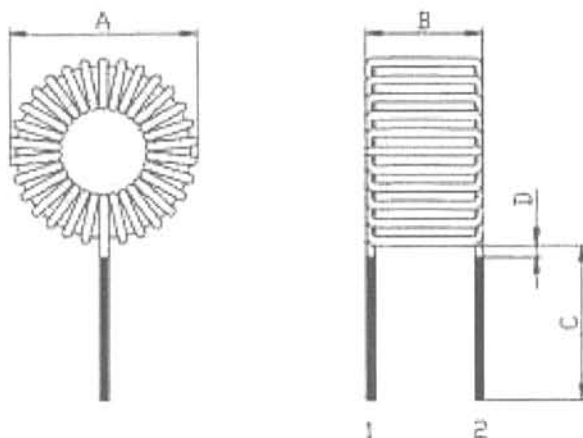


1. MATERIAL , WINDING

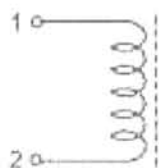
CORE	CT94-26 (or equivalent)	WIRE	Ø0.70mm (2UEW)
TURNS	(1-2) 56 T (Ref.)		

2. DIMENSIONS (UNIT : mm)



A	Ø29.0 Max.
B	11.5 Max.
C	25.0±2.0
D	2.0 Max.

3. CIRCUIT



4. CHARACTERISTICS

ITEM	SPEC (1 - 2)	TESTING CONDITIONS	MEASUREMENT INSTRUMENTS
INDUCTANCE	190 μ H±30%	1kHz/1V	HP-4284A
Rdc	95.0m Ω Max.	at 25°C	HP-34420A