

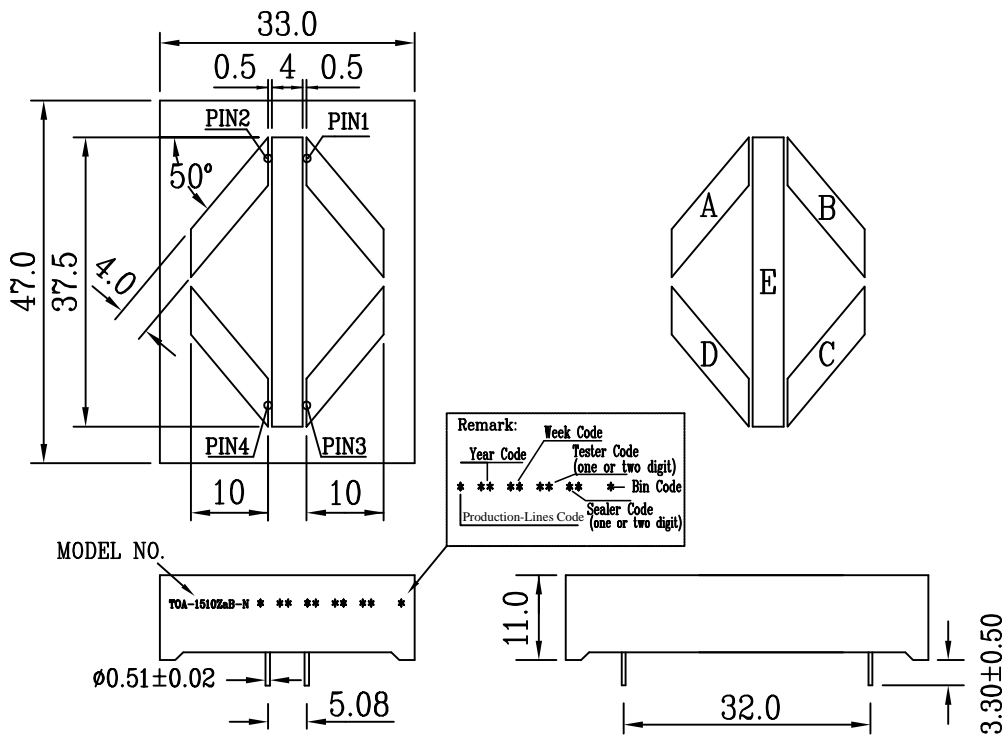


TAIWAN OASIS LED DATA SHEET

PART NO. : TOA-1510ZaB-N

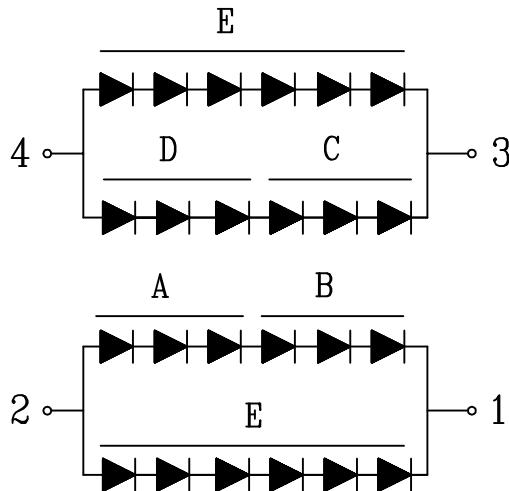
APPEARANCE			TECHNOLOGY	InGaN/SiC
FACE	SEGMENT	PIN	SOURCE COLOR	Blue
Gray	White	∅0.51x10.28	DRIVER MODE	Universal
			PACKING	Styrene Foam

PACKAGE DIMENSIONS



NORMAL TOLERANCE: ±0.25 ANGLE: ±1°

INTERNAL CIRCUIT DIAGRAM



DATE	01/17/05	SCALE	1.2:1	DRAWING NO.	S-TOA-1510ZaB-N-A	DRAWN	L.D.Y	CHECKED	
UNIT	M/M	SHEET NO.	1/1			DESIGN		APPROVED	



TAIWAN OASIS LED DATA SHEET

PART NO. : TOA-1510ZaB-N

ABSOLUTE MAXIMUM RATINGS AT TA=25°C

PARAMETER	VALUE	UNITS
Power Dissipation Per Segment	105	mW
Peak Forward Current Per Segment (1/10 Duty Cycle, 0.1ms Pulse Width)	80	mA
Continuous Forward Current Per Segment	20	mA
Recommend Operating Current	12	mA
Reverse Voltage Per Segment	5	V
Operating Temperature Range	-25 to +85	°C
Storage Temperature Range	-30 to +85	°C
Junction Temperature	+85	°C
Storage Time at 25±2°C / 65%RH±5%RH	6	Month
Lead Solder Temperature(1/10 Inch Below Seating Plane)	260°C for 3 sec.	

ELECTRICAL/OPTICAL CHARACTERISTICS AT TA=25°C

PARAMETER	SYMBOL	MIN.	TYP.	MAX.	UNITS	TEST CONDITION	GRADE
Dominant Emission Wavelength	λ_d		460		nm	I _F = 20mA	
Spectral Line Half-Width	$\Delta\lambda$		26		nm	I _F = 20mA	
Forward Voltage Per Segment	V _F		3.4	4.0	V	I _F = 20mA	
Reverse Current Per Segment	I _R			100	μA	V _R = 5V	
Luminous Intensity Matching Rate	I _v -m			2.0:1		I _F = 20mA	

Notes: Above specification may be changed without notice.

DATE	01/17/05	SCALE	_____	DRAWING NO.	S-TOA-1510ZaB-N-A	DRAWN	L.D.Y	CHECKED	
UNIT	_____	SHEET NO.	2/2			CUSTOMER		APPROVED	