



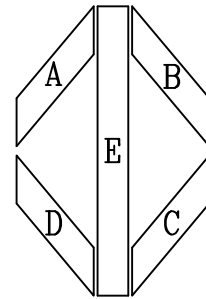
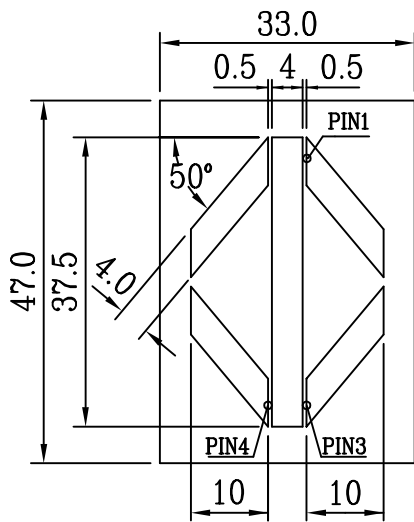
# TAIWAN OASIS LED DATA SHEET

PART NO. : TOA-1510ZHH-B

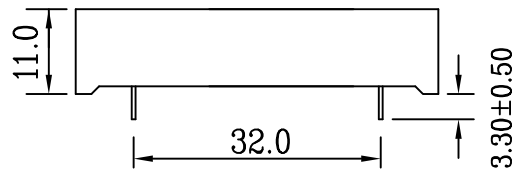
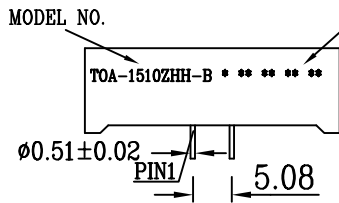
APPEARANCE			TECHNOLOGIE	GaAlAs/GaAs
FACE	SEGMENT	PIN	SOURCE COLOR	Hi-red
Black	White	∅0.51x10.28	DRIVER MODE	Universal
			PACKING	Tube

## PACKAGE DIMENSIONS

PCB:1510ZEG

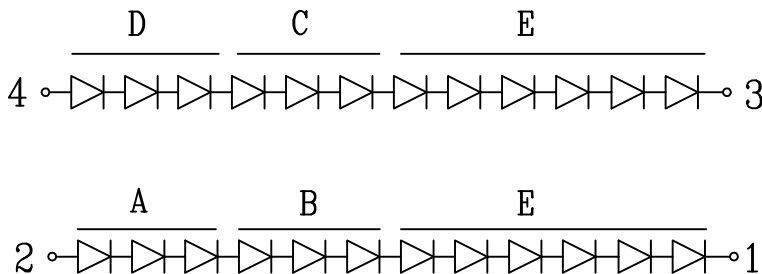


Remark:  
 Year Code      Week Code      Tester Code (one or two digit)  
 \* \* \* \* \*      \* \* \* \* \*      \* \* \* \* \*  
 Production-Lines Code      Sealer Code (one or two digit)



NORMAL TOLERANCE:±0.25      ANGLE:±1°

## INTERNAL CIRCUIT DIAGRAM



DATE		SCALE	1.2:1	DRAWING NO.	S-1510ZHH-B-A1	DRAWN	Q.C.F	CHECKED	
UNIT	M/M	SHEET NO.	1/2			CUSTOMER		APPROVED	



# TAIWAN OASIS LED DATA SHEET

PART NO. : TOA-1510ZHH-B

ABSOLUTE MAXIMUM RATINGS AT TA=25°C

PARAMETER	VALUE	UNITS
Power Dissipation Per Segment ( <b>max.</b> )	620	mW
Peak Forward Current Per Segment ( <b>max.</b> ) (1/10 Duty Cycle, 0.1ms Pulse Width)	80	mA
Continuous Forward Current Per Segment ( <b>max.</b> )	20	mA
Recommend Operating Current	12	mA
Reverse Voltage Per Segment	15	V
Operating Temperature Range	-25 to +85	°C
Storage Temperature Range	-30 to +85	°C
Junction Temperature	+85	°C
Storage Time at 25±2°C / 65%RH±5%RH	6	Month
Soldering Temperature	300°C for 3 sec.	

ELECTRICAL/OPTICAL CHARACTERISTICS AT TA=25°C

PARAMETER	SYMBOL	MIN.	TYP.	MAX.	UNITS	TEST CONDITION	GRADE
Peak Emission Wavelength	$\lambda_p$		660		nm	I <sub>F</sub> = 20mA	
Spectral Line Half-Width	$\Delta\lambda$		15		nm	I <sub>F</sub> = 20mA	
Forward Voltage Per Segment	V <sub>F</sub>	20.4	21.6	24.0	V	I <sub>F</sub> = 20mA	
Reverse Current Per Segment	I <sub>R</sub>			20	μA	V <sub>R</sub> = 30V	
Luminous Intensity Matching Rate	I <sub>v-m</sub>			1.5:1		I <sub>F</sub> = 20mA	

DATE	11/04/04'	SCALE	———	DRAWING NO.	S-TOA-1510ZHH-B-A	DRAWN	Q.C.F'	CHECKED	
UNIT	———	SHEET NO.	2/2			CUSTOMER		APPROVED	