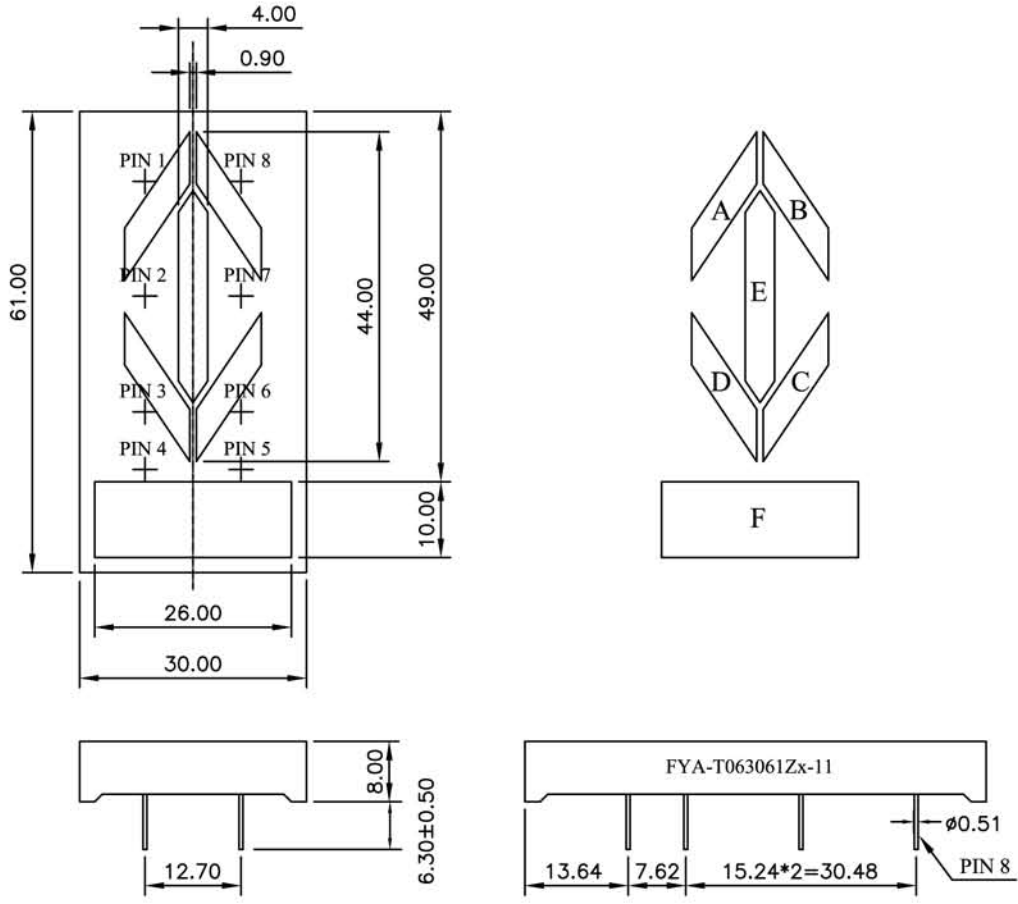


61.0mm X 30.0mm Special Design Arrow Led Display

PACKAGE DIMENSION



INTERNAL CIRCUIT DIAGRAM

FYA-T063061Zx

