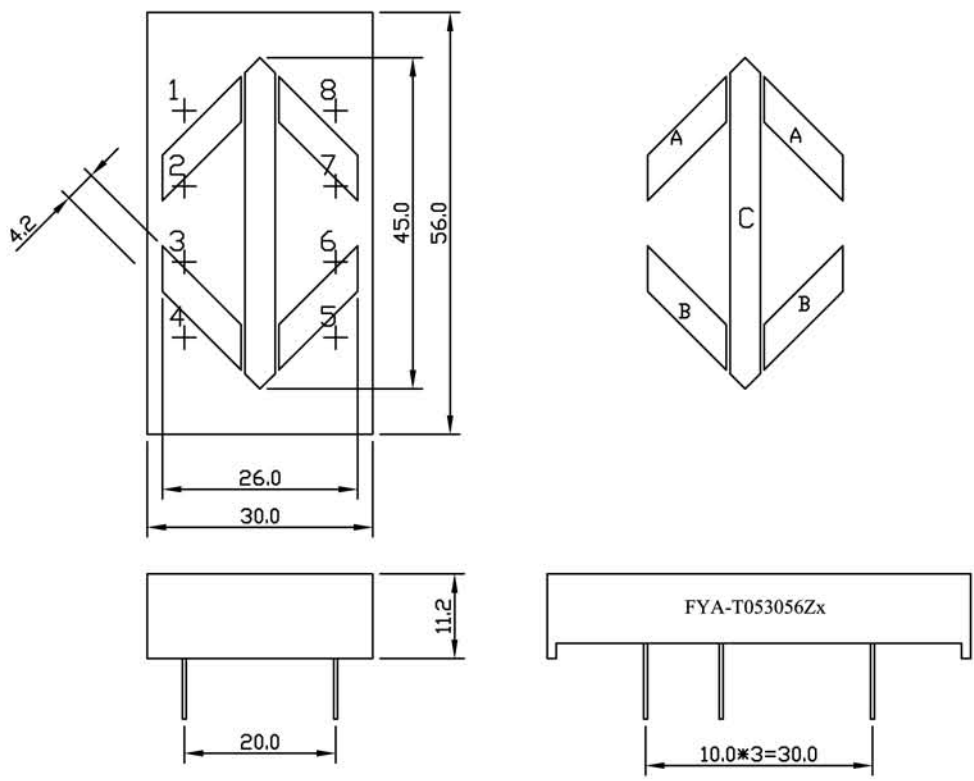


56.0mm X 30.0mm Special Design Led Display

PACKAGE DIMENSION



INTERNAL CIRCUIT DIAGRAM

FYA-T053056Zx

