

Electronic overload relays

Specification

Ratings



Model		GMP22-2P	GMP22-2P(1a1b) GMP22-3P/3PR		GMP22-2S	GMP22-3S/3SR	GMP22-2T	GMP22-3T/3TR
Type		Pin type			Screw type		Tunnel type	
No. of CT		2CT	2CT	3CT	2CT	3CT	2CT	3CT
Protection	Overcurrent	●	●	●	●	●	●	●
	Phase failure	● Note1)	●	●	●	●	●	●
	Stall	●	●	●	●	●	●	●
	Asymmetry	—	—	●	—	●	—	●
	Reverse phase	—	—	● (3PR)	—	● (3SR)	—	● (3TR)
Current setting range(A)		0.3~1.5 1~5 4.4~22						
Operating time characteristics		Inverse time characteristics(GMP22-2PD: Definite time characteristics)						
Time setting (sec)	Inverse time	0~30 sec						
	Definite D-time	0.2~60 sec for GMP22-2PD						
	O-time	5sec (Fixed) for GMP22-2PD						
Tolerance	Current	± 5%						
	Time	± 5%(or ± 0.5sec)						
Control power	Voltage	AC 110V/220V(± 10%)		AC 100~260V				
	Frequency	50/60Hz						
Aux. contact	Contact	1SPDT(1c) Note2)		2SPST(When power applied, 1a1b)				
	Ratings	5A/250VAC Resistive load		3A/250VAC Resistive load				
	Operate	(95 ⇄ 96 Close)		(95 ⇄ 96 Close)		(97 ⇄ 98 Open)		
Insulation resistance		Min 100MΩ at 500Vdc						
Surge endurance(IEC 1000-4-5)		1.2 × 50μs 6kV Apply the standard wave						
Fast transient burst(IEC 1000-4-4)		2.5kV/5min.						
Environment	Operation	-25~70°C						
	Storage	-30~80°C						
	Relative humidity	30~90%RH(No freezing)						
Trip indicator		Red LED	Red/Green LED		Red LED	Red/Green LED	Red LED	Red/Green LED
Dimension(mm) W × H × D		44 × 71 × 78		53 × 77.5 × 87.5		53 × 68 × 87.5		53 × 38 × 87.5
Mounting type		Direct mount onto a MC			Separate mount(Screw or Din-rail) Note3)			
Applied MC		GMC-9, GMC-12, GMC-18, GMC-22						
Certification		UL, cUL, CE						

Note1) When it is 2CT model, only two-phase protection is available

Note2) 1a1b Aux. switch is optional in GMP 22-2P model

Note3) The bracket for Din-rail mount is optional

Ratings

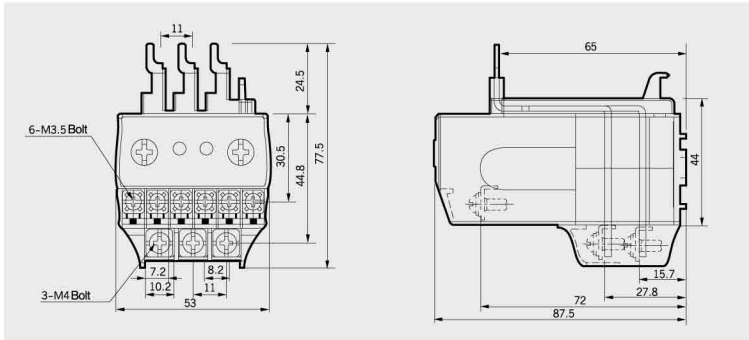


Model		GMP40-2P	GMP40-3P/3PR	GMP40-2S	GMP40-3S/3SR	GMP40-2T	GMP40-3T/3TR	GMP80-2S	GMP80-3S/3SR
Type		Pin type		Screw type		Tunnel type		Screw type	
No. of CT		2CT	3CT	2CT	3CT	2CT	3CT	2CT	3CT
Protection	Overcurrent	●	●	●	●	●	●	●	●
	Phase failure	●	●	●	●	●	●	●	●
	Stall	●	●	●	●	●	●	●	●
	Asymmetry	—	●	—	●	—	●	—	●
	Reverse phase	—	● (3PR)	—	● (3SR)	—	● (3TR)	—	● (3SR)
Current setting range(A)		4~20 8~40						16~80	
Operating time characteristics		Inverse time characteristics							
Time setting (sec)	Inverse time	0~30 sec							
	Reset time	Manual reset (Prompt) Reset after 1 Min.(Optional)							
Tolerance	Current	±5%							
	Time	±5%(or±0.5sec)							
Control power	Voltage	AC 100~260V							
	Frequency	50/60Hz							
Aux. contact	Contact	2SPST(When power applied, 1a1b)							
	Rating	3A/250VAC Resistive load							
	Operate	(95 ±96 Close)				(97± 98 Open)			
Insulation resistance		Min 100MΩ at 500Vdc							
Surge endurance(IEC 1000-4-5)		1.2 × 50 μs 6kV Apply the standard wave							
Fast transient burst(IEC 1000-4-4)		2.5kV/5min.							
Environment Temperature	Operation	-25~70°C							
	Storage	-30~80°C							
	Relative humidity	30~90%RH((No freezing)							
Trip indicator		Red LED	Red/Green LED	Red LED	Red/Green LED	Red LED	Red/Green LED	Red LED	2Red LEDs
Dimension(mm) W × H × D		53 × 77.5 × 87.5		53 × 68 × 87.5		53 × 38 × 87.5		89 × 77.5 × 97.4	
Mounting type		Direct mount onto a MC		Separate mount(Screw or Din-rail)				Direct/Separate mount (Screw or Din-rail)	
Applied MC		GMC-32, GMC-40						GMC-50, GMC-65, GMC-75, GMC-85	
Certification		UL, cUL, CE							

Electronic overload relays



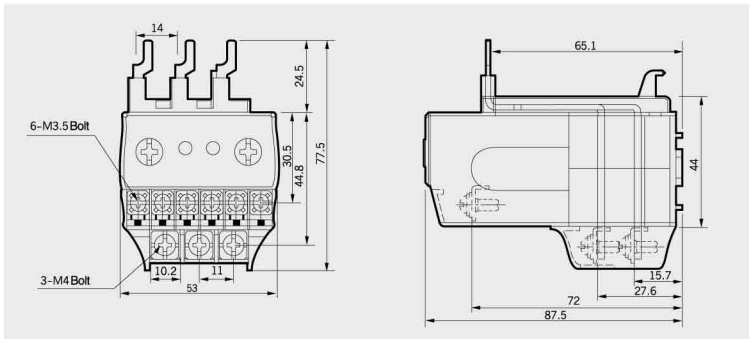
- GMP22-2P
- GMP22-3P
- GMP22-3PR



Terminal configuration : See Fig. 1 on the next page

0.18kg

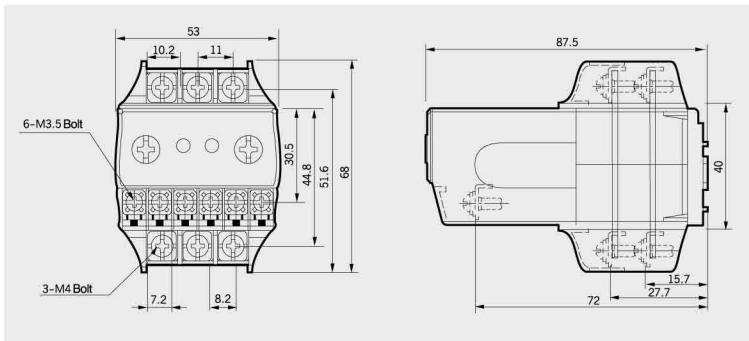
- GMP40-2P
- GMP40-3P
- GMP40-3PR



Terminal configuration : See Fig. 1 on the next page

0.20kg/0.22kg

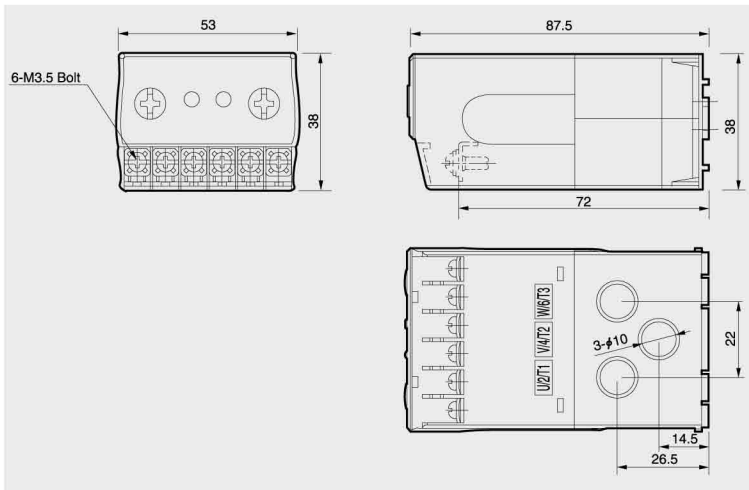
- GMP22-2S
- GMP22-3S
- GMP22-3SR
- GMP40-2S
- GMP40-3S
- GMP40-3SR



Terminal configuration : See Fig. 2 on the next page

0.19kg/0.21kg

- GMP22-2T
- GMP22-3T
- GMP22-3TR
- GMP40-2T
- GMP40-3T
- GMP40-3TR



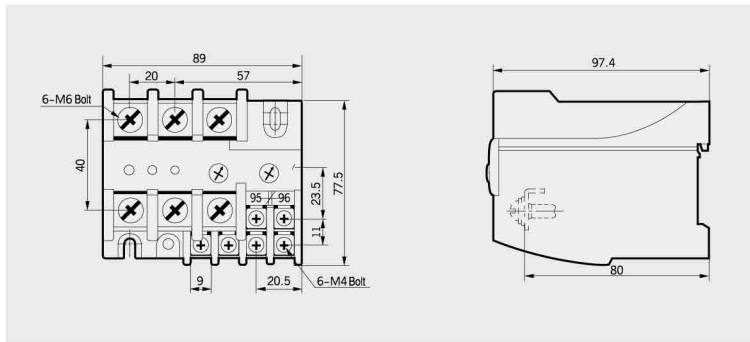
Terminal configuration : See Fig. 3 on the next page

0.14kg/0.16kg

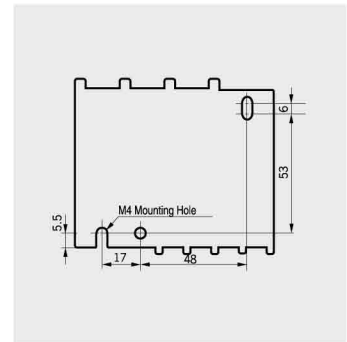
Dimensions

Electronic overload relays

- GMP80-2S
- GMP80-3S
- GMP80-3SR



Terminal configuration : See Fig. 2



0.42kg/0.46kg

Terminal configuration

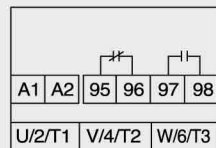


Fig. 1

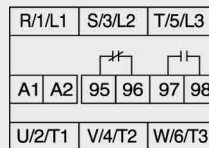


Fig. 2

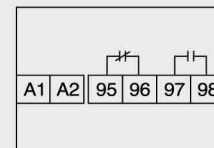
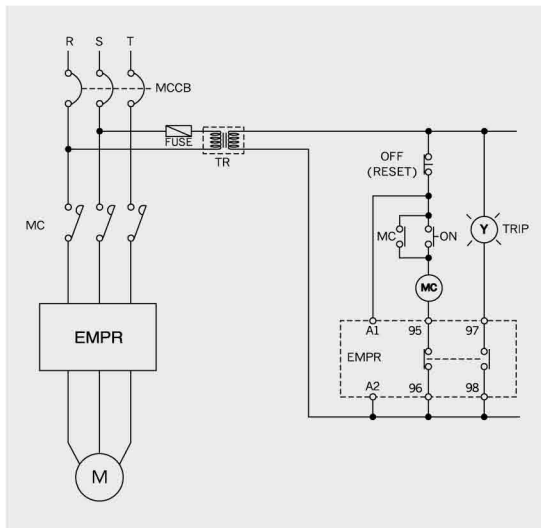
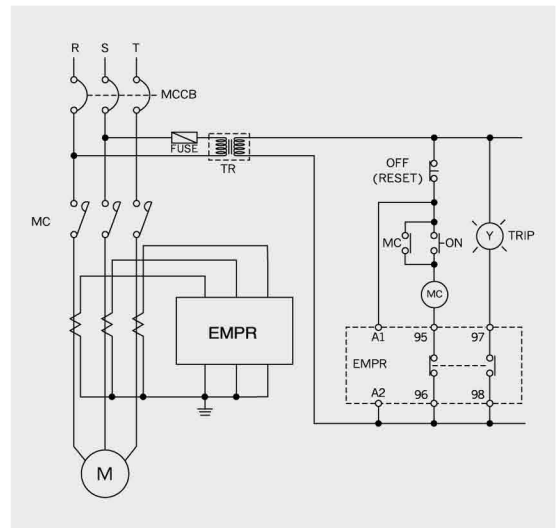


Fig. 3

Circuit diagram



Without additional CTs



In case of using additional CTs