

Contactors relays

Description

- 4-, 6-, 8-pole units
- 44mm wide
- Finger proof design
- DIN rail or screw mountable
- 16A continuous current, I_{th}
- AC/DC control voltage



GMR-4



GMR-6



GMR-8

Selection

Poles	Composition	Types		Remarks
		AC control	DC control	
4 pole	4NO 3NO+1NC 2NO+2NC 1NO+3NC 4NC	GMR-4	GMR-4D	Additional 2NO or 4NO auxiliary contact block can be mounted on these relays
6 pole	6NO 5NO+1NC 4NO+2NC 3NO+3NC 2NO+4NC	GMR-6	GMR-6D	
8 pole	8NO 7NO+1NC 6NO+2NC 5NO+3NC 4NO+4NC	GMR-8	GMR-8D	

Contact ratings

	Rated currents	Making/Breaking currents			
		Inductive load	Resistive load	Inductive load	Resistive load
AC duty	120V	6A	10A	66A	66A
	240V	3A	8A	33A	33A
	480V	1.5A	5A	16.5A	16.5A
	600V	1.2A	5A	13.2A	13.2A
DC duty	125V	1.1A	5A	3.7A	
	250V	0.55A	3A	1.8A	
	440V	0.31A	2.5A	1.4A	
	600V	0.2A	1A	0.7A	
Continuous current, I _{th}		16A			

Note) Minimum voltage and current : 17V DC 5mA for AU-1E, 7V DC 5mA for AU-100E, 24V DC 10mA for others

Performance

Operation cycle			1800 operations/hour	
Endurance	Mechanical lifetime		20 mil. Operations	
	Electrical lifetime	AC15 duty	220V	0.5 mil. operations
			440V	0.5 mil. operations
		AC12 duty	220V	0.25 mil. operations
			440V	0.25 mil. operations
DC13, 12 duty		24~220V	0.5 mil. operations	

Contactors coil voltage, AC 50/60Hz

50Hz : 24, 42, 48, 100, 110, 220, 240, 380, 400, 415, 440, 500, 550V

60Hz : 24, 48, 110, 120, 208, 220, 240, 277, 380, 440, 480, 600V

Coil voltage, DC

12, 20, 24, 48, 60, 80, 100, 110, 125, 200, 220, 250V

Contact us

Phone: +30 26510 24011
Fax: +30 26510 34511

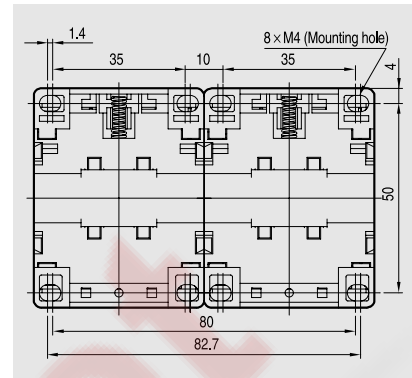
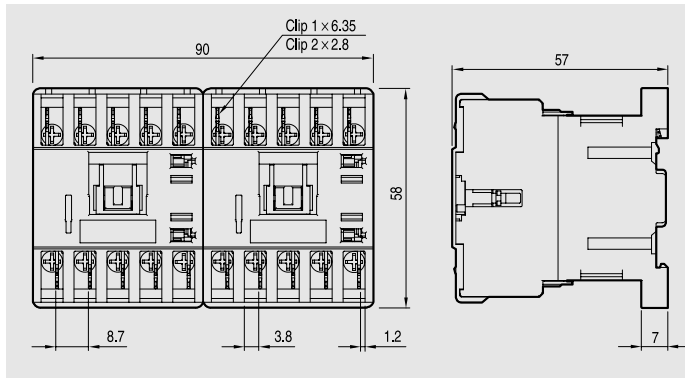
Mon - Wed - Sat: 08:30-14:30
Tues - Thur - Fri: 08:30-14:00, 17:30-21:00

Email: sales@stathisnet.gr

Dimensions

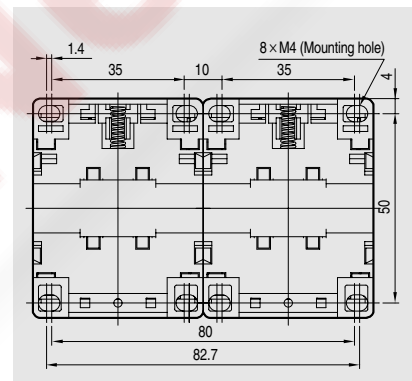
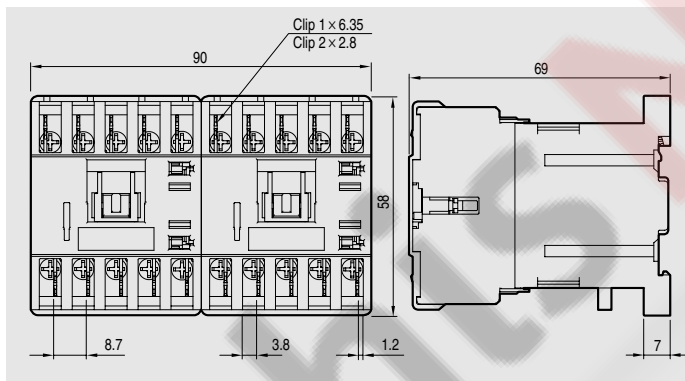
Mini contactors, Reversing type

- GMC-6MFR
- GMC-9MFR
- GMC-12MFR
- GMC-16MFR
- GMC-6MFR/4
- GMC-9MFR/4
- GMC-12MFR/4
- GMC-16MFR/4



Weight: 0.36kg

- GMD-6MFR
- GMD-9MFR
- GMD-12MFR
- GMD-16MFR
- GMD-6MFR/4
- GMD-9MFR/4
- GMD-12MFR/4
- GMD-16MFR/4

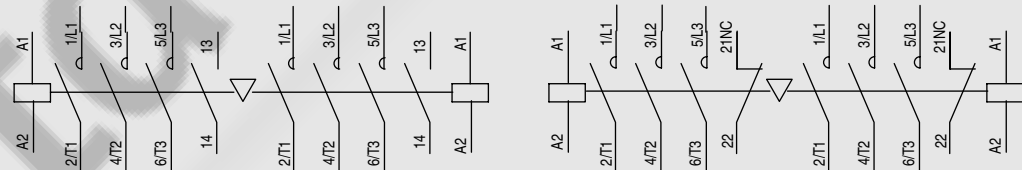


Weight: 0.54kg

Circuit diagram

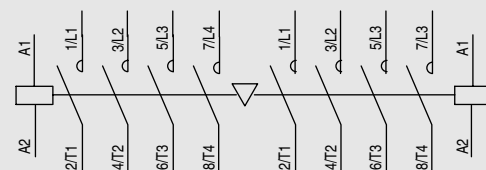
GMC-6MFR~16MFR, GMD-6MFR~16MFR

3-Pole contactors



GMC-6MFR/4~16MFR/4, GMD-6MFR/4~16MFR/4

4-Pole contactors



Contact us

Phone: +30 26510 24011
Fax: +30 26510 34511

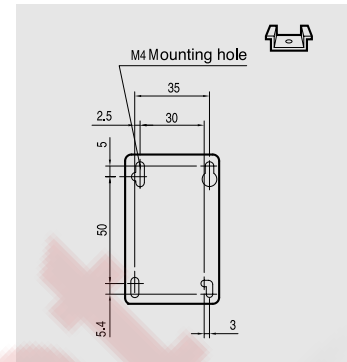
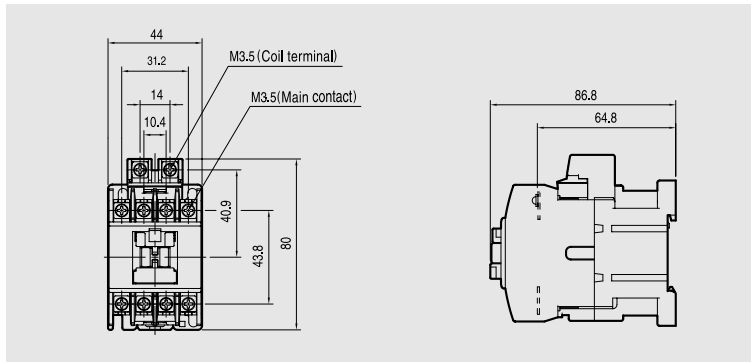
Mon - Wed - Sat: 08:30-14:30
Tues - Thur - Fri: 08:30-14:00, 17:30-21:00

Email: sales@stathisnet.gr

Dimensions

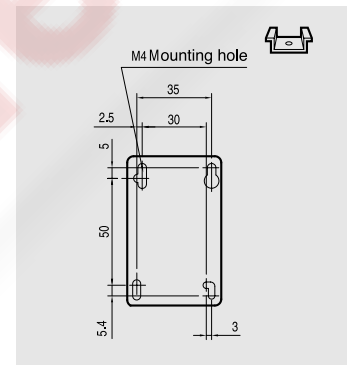
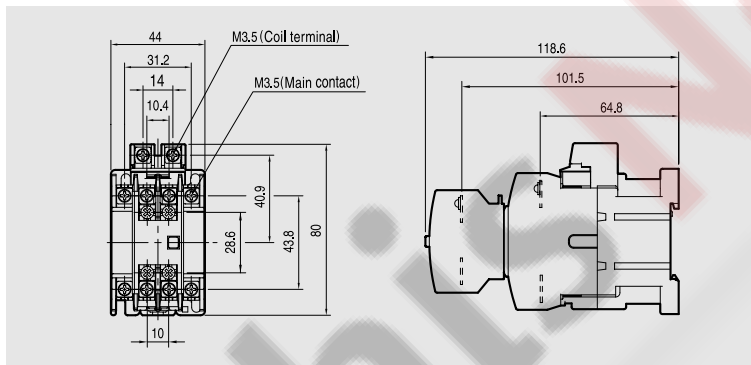
Contact relays, AC coil

GMR-4



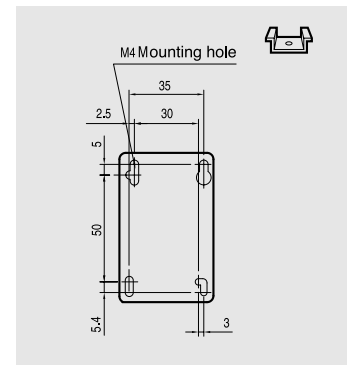
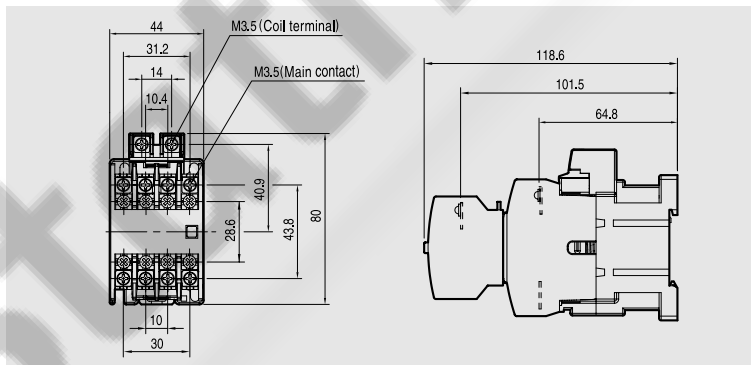
0.33kg

GMR-6



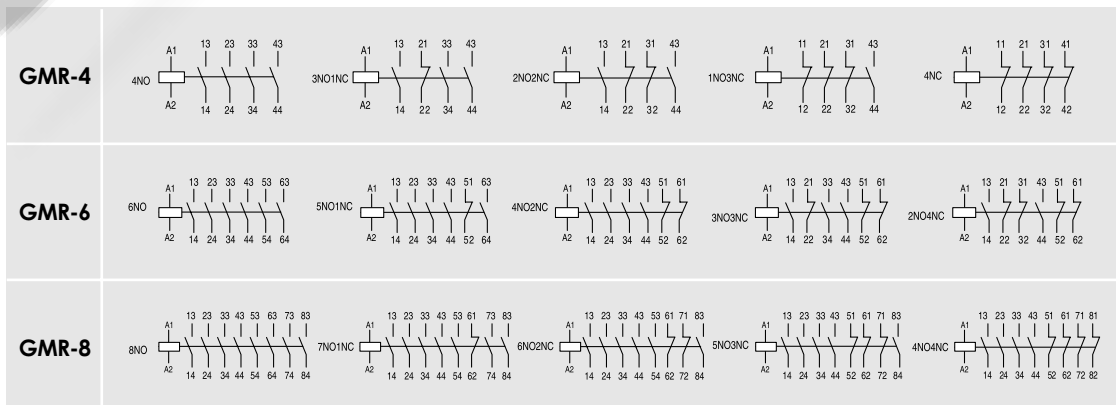
0.36kg

GMR-8



0.38kg

Circuit diagram



Contact us

Phone: +30 26510 24011
Fax: +30 26510 34511

Mon - Wed - Sat: 08:30-14:30
Tues - Thur - Fri: 08:30-14:00, 17:30-21:00

Email: sales@stathisnet.gr