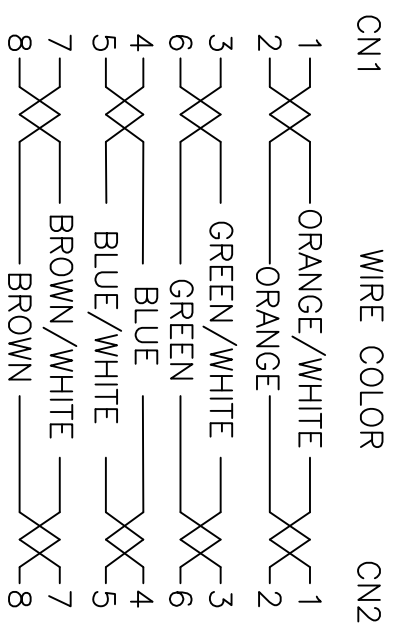


MATERIAL LIST:

NO.	PARTS NAME	SPECIFICATION DESCRIPTION
①	CABLE	UTP (26AWG(CCA)*1PR)*4+PVC OD:4.6±0.2mm COLOR:ASSORTED UPON REQUEST
②	RJ45 CONNECTOR	RJ45.8P8C,TWO FORK GOLD PLATED CONTACTS
③	MOLDING PVC	MOLDING PVC 45P COLOR:ASSORTED UPON REQUEST

PIN OUT



ELECTRONIC TEST:  
A.OPEN/SHORT/INTERMITTENCE: 100%.

REMARK NO	CHAND	SIGNATURE	DATE	SIGN	PAGE	OF	ITEM NO. (SECTION SHEET)
DRAWN BY	Renzhi						
CHECKED BY							
AUDITED BY		APPROVED BY	DATE				
GRAFT			2015.10.17				

KUNSHAN BYB WIRE & CABLE CO.,LTD

UTP CAT 5E CCA 26AWG

