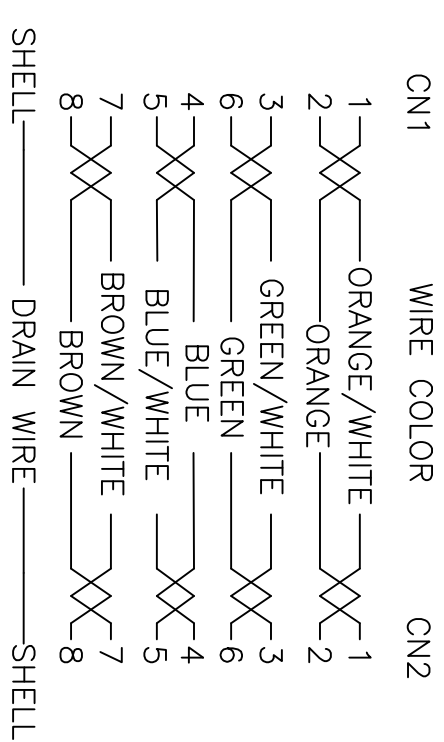


MATERIAL LIST:

NO.	PARTS NAME	SPECIFICATION DESCRIPTION
①	CABLE	FTP (26AWG*1PR)*4+D+AL+PVC OD:5.7±0.2mm COLOR:Assorted upon request
②	RJ45 CONNECTOR	RJ45,8P&C,TWO FORK GOLD PLATED CONTACTS WITH METAL HOUSING
③	MOLDING PVC	MOLDING PVC 45P COLOR:Assorted upon request

PIN OUT



ELECTRONIC TEST:
A.OPEN/SHORT/INTERMITTENCE: 100%.

REMARK NO	CHANO	SIGNATURE	DATE
DRAWN BY	RENZHI		
CHECKED BY			
AUDITED BY		APPROVED BY	
CRAFT		DATE	2016.10.17

SIGN	W/T	SCALE

PAGE	OF

ITEM NO. (SECTION SHEET)

KUNSHAN BYB WIRE & CABLE CO.,LTD

FTP CAT6 26AWG