

4

3

2

1

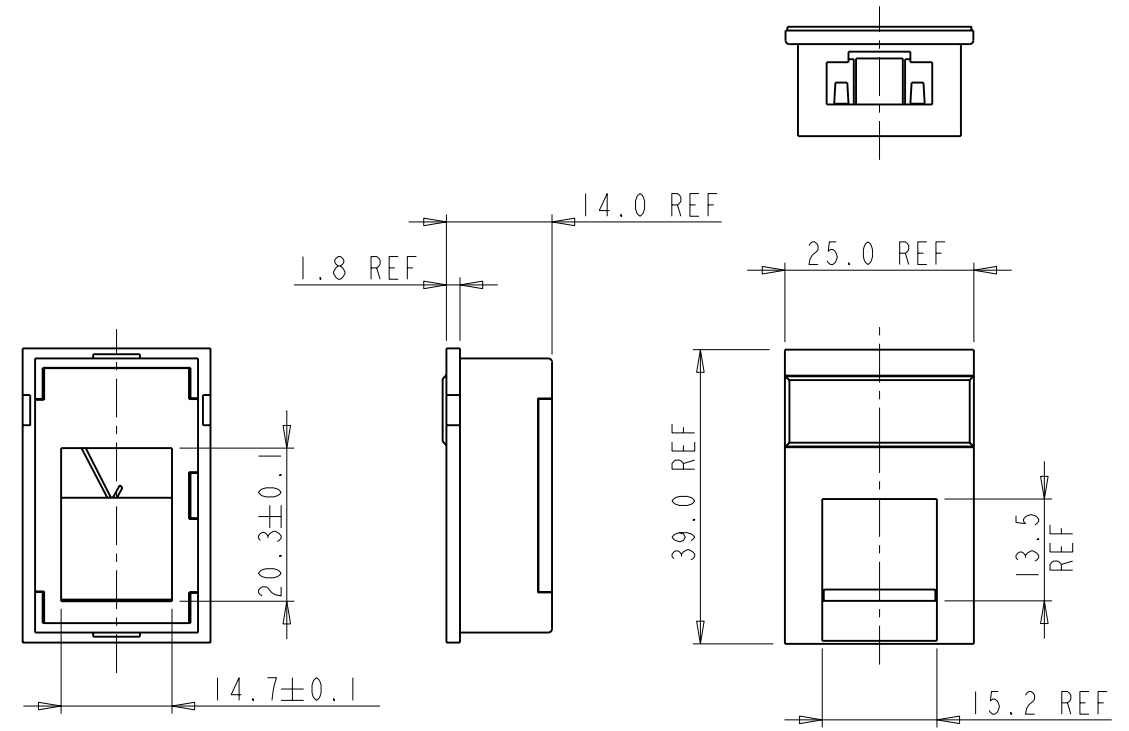
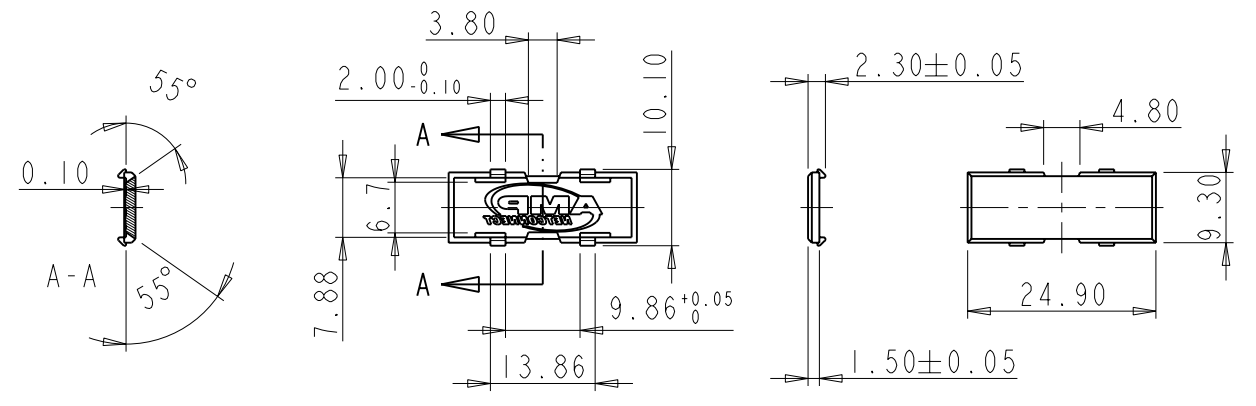
THIS DRAWING IS UNPUBLISHED. RELEASED FOR PUBLICATION 2005

© COPYRIGHT 2005 BY TYCO ELECTRONICS CORPORATION. ALL RIGHTS RESERVED.

LOC	DIST	REVISIONS				
P	LTR	DESCRIPTION	DATE	DWN	APVD	
1K	2	A	FIRST RELEASE	14JUN2005	MP AC	
		B	SEE ECR-08-007911	10APR2008	L.C. J.S.	

I. PRODUCT DESCRIPTION:
UNLOADED LJ6C SNAP IN MODULE

TRANSPARENT LABEL COVER



9003	1711348-1
RAL	DASH

<small>THIS DRAWING IS A CONTROLLED DOCUMENT FOR TYCO ELECTRONICS CORPORATION IT IS SUBJECT TO CHANGE AND THE CONTROLLING ENGINEERING ORGANIZATION SHOULD BE CONTACTED FOR THE LATEST REVISION.</small>		DWN M. PANADERO 14JUN2005 CHK A. CARRERAS 14JUN2005 APVD J. SANABRA 14JUN2005		Tyco Electronics AMP España, S.A. Barcelona, Spain	
DIMENSIONS: mm 		TOLERANCES UNLESS OTHERWISE SPECIFIED: 0 PLC ±- 1 PLC ±- 2 PLC ±- 3 PLC ±- 4 PLC ±- ANGLES ±-		NAME UNLOADED LJ6C SNAP IN MODULE PRODUCT SPEC - APPLICATION SPEC - WEIGHT -	
MATERIAL ABS FINISH -		CUSTOMER DRAWING		SIZE A3 CAGE CODE 00779 DRAWING NO. 1711348	RESTRICTED TO - SCALE : : SHEET 1 OF 1 REV B