

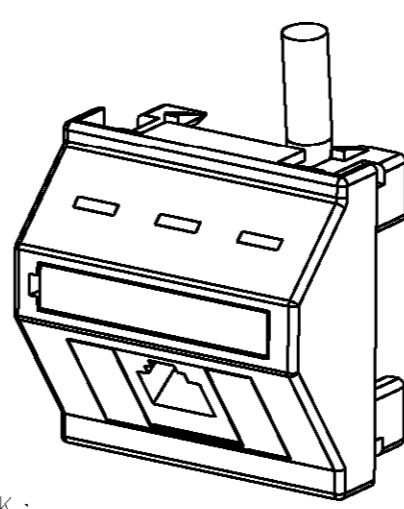
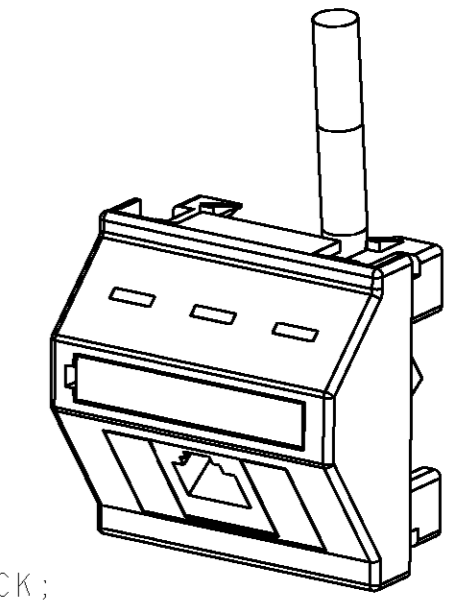
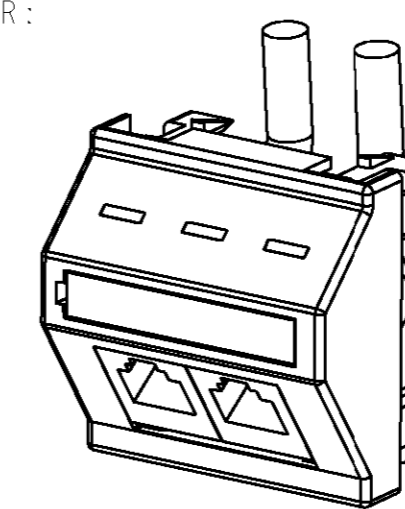
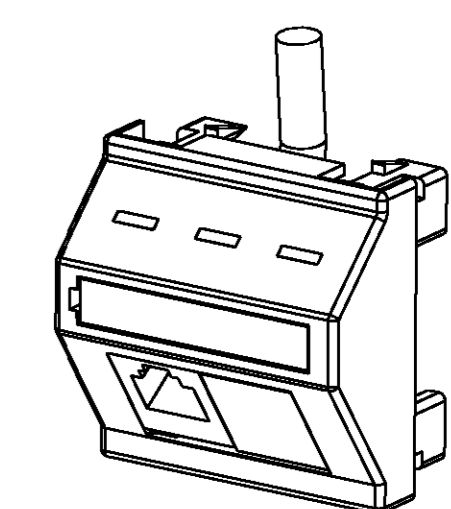
THIS DRAWING IS UNPUBLISHED. RELEASED FOR PUBLICATION 2002
 © COPYRIGHT 2002 BY TYCO ELECTRONICS CORPORATION. ALL RIGHTS RESERVED.

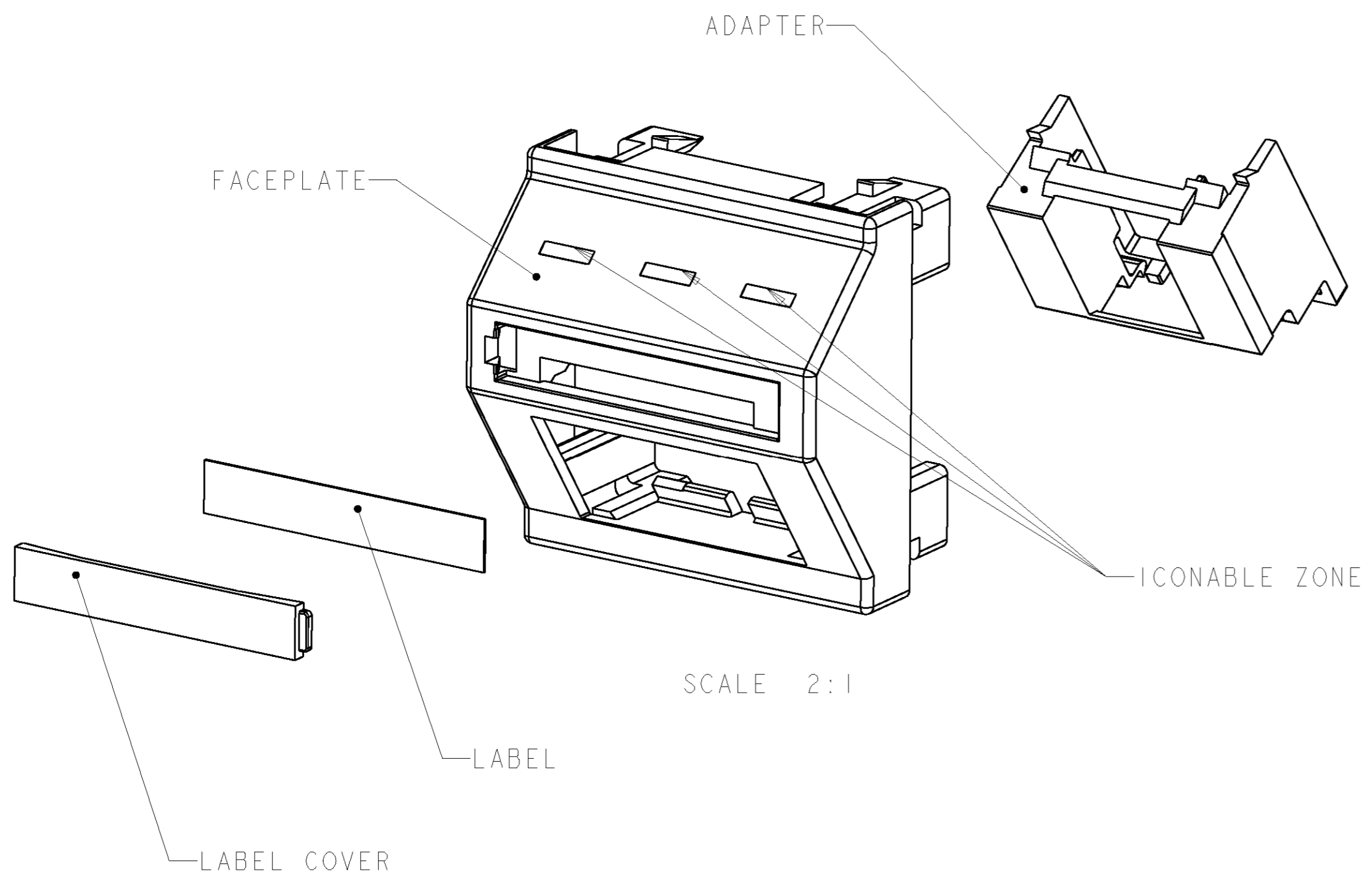
LOC		DIST		REVISIONS			
P	LTR	DESCRIPTION	DATE	DWN	APVD		
	A	FIRST ISSUE	12DEC2002	ACG	-		
	B	SEE EC ESE0-0090-03	14OCT2003	ACG	JS		

1. PACKAGING UNIT:
 1 KIT PACKED INTO 1 BAG;
 AND 10 BAGS + 1 APPLICATION SPEC. PACKED INTO 1 CARTON BOX.
 ACCORDING TO AMP PACKAGING SPEC.; 107-22048.
2. CONNECTORS AND ICONS WILL BE ORDERED SEPARATELY.
3. PRODUCT COMPATIBLE WITH LEGRAND "MOAIC"(TM) 45x45 INSTALLATION ENVIRONMENTS.

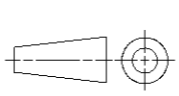
1. UNIDAD DE EMBALAJE:
 1 CONJUNTO EMBALADO EN 1 BOLSA;
 Y 10 BOLSAS + 1 ESPECIFICACION DE APLICACION,
 EMBALADAS EN UNA CAJA DE CARTON.
 DE ACUERDO A ESPECIFICACION DE EMBALAJE AMP; 107-22048.
2. LOS CONECTORES E ICONOS NO SE SUMINISTRAN EN EL KIT.
3. PRODUCTO COMPATIBLE CON SISTEMAS LEGRAND "MOAIC"(TM) 45x45.

APPLICATIONS: ONLY FOR REFERENCE

<p>USING ADAPTER:</p>  <p>1 SL SERIES JACK; * SHIELDED/UNSHIELDED, * WITH/WITHOUT DUST COVER</p>	<p>USING ADAPTER:</p>  <p>1 110 MODULAR JACK; * SHIELDED/UNSHIELDED.</p>
<p>NOT USING ADAPTER:</p>  <p>2 SL SERIES JACKS; * SHIELDED/UNSHIELDED, * WITH/WITHOUT DUST COVER</p>	<p>NOT USING ADAPTER:</p>  <p>SL SERIES: 1 JACK+ 1 BLANK INSERT; * SHIELDED/UNSHIELDED, * WITH/WITHOUT DUST COVER</p>



QTY. REQ. PER KIT	COLOUR	MATERIAL	DESCRIPTION
1/10	1/10	--	APPLICATION SPEC.: 114-22024
1	1	TRANSPARENT	PC
1	1	WHITE	PAPER
1	--	ALMOND/RAL 1013	PC
--	1	WHITE / RAL 9010	PC
1	--	ALMOND/RAL 1013	PC
--	1	WHITE/RAL 9010	PC
-2	-1		

THIS DRAWING IS A CONTROLLED DOCUMENT FOR TYCO ELECTRONICS CORPORATION IT IS SUBJECT TO CHANGE AND THE CONTROLLING ENGINEERING ORGANIZATION SHOULD BE CONTACTED FOR THE LATEST REVISION.		DWN: 12DEC2002 CHK: A. CARRERAS APVD: A. CARRERAS J. SANABRA	tyco Electronics AMP Española, S.A. Barcelona, Spain.
DIMENSIONS: mm 	TOLERANCES UNLESS OTHERWISE SPECIFIED: 0 PLC ± 1 PLC ± 2 PLC ± 3 PLC ± 4 PLC ± ANGLES ± FINISH	PRODUCT SPEC: - APPLICATION SPEC: 114-22024 WEIGHT: - CUSTOMER DRAWING	NAME: 45x45 OUTLET, SINGLE-DUAL PORT FOR SL SERIES AND 110 JACKS SIZE: A2 CAGE CODE: 00779 DRAWING NO: 336793 RESTRICTED TO: - SCALE: 1:1 SHEET OF 1 REV B