


T4WM

Automatic switching function of 5 point temperature indication

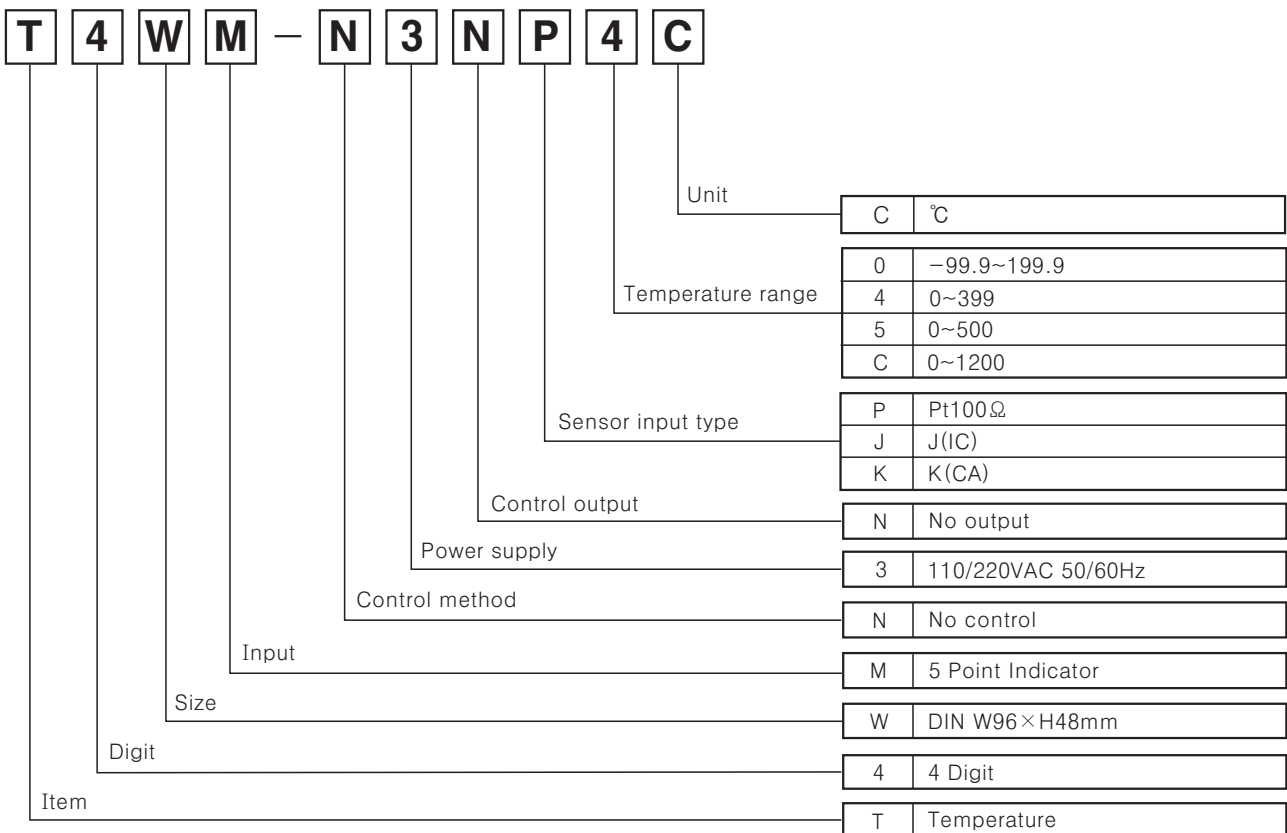
■ Features

- Indication type only
- High accuracy measurement : F · S ±0.5%
- 5 Point temperature measurement
- Automatic or manual display of temperature in each point

 Please read "Caution for your safety" in operation manual before using.



■ Ordering information



*Please check the range of temperature when select model. (Refer to C-90 page)

5 Point Input Type

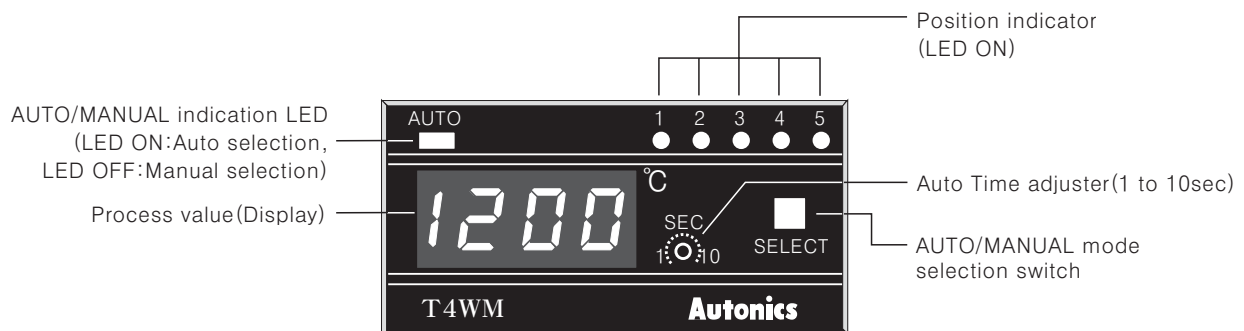
Temperature range for each sensor

Model		T4WM		
Sensor input type		Thermocouples		RTD
		J(IC)	K(CA)	Pt100Ω
Measuring range of temperature	1600		1200°C	
	1200			
	1000			
	800			
	600			
	400	500°C		
	200			
	100			
	0			
	-100			-99.9°C

Specifications

Model		T4WM
Power supply	110/220VAC 50/60Hz	
Allowable voltage range	90 ~ 110% of rated voltage	
Power consumption	3VA	
Display method	7 Segment LED Display	
Character size	W9.8×H14.2mm	
Display accuracy	F · S ± 0.5% rdg ± 1digit	
Input sensor	Thermocouples : K(CA), J(IC) / RTD : Pt100Ω	
Input line resistance	Thermocouples : Max. 100Ω / RTD : Max. 5Ω per a wire	
Available sensor quantity	Thermocouple : Max. 5pcs / RTD : Max. 5pcs	
Insulation resistance	Min. 100MΩ (at 500VDC)	
Dielectric strength	2000VAC 50/60Hz for 1 minute	
Noise strength	± 1kV the square wave noise (pulse width: 1μs) by the noise simulator	
Vibration	Mechanical	0.75mm amplitude at frequency of 10 ~ 55Hz in each of X, Y, Z directions for 1 hour
	Malfunction	0.5mm amplitude at frequency of 10 ~ 55Hz in each of X, Y, Z directions for 10 minutes
Shock	Mechanical	300m/s ² (Approx. 30G) 3 times at X, Y, Z direction
	Malfunction	100m/s ² (Approx. 10G) 3 times at X, Y, Z direction
Ambient temperature	-10 ~ +50°C (at non-freezing status)	
Storage temperature	-25 ~ +65°C (at non-freezing status)	
Ambient humidity	35 ~ 85%RH	
Unit weight	Approx. 322g	

Front panel identification



(A) Counter

(B) Timer

(C) Temp. controller

(D) Power controller

(E) Panel meter

(F) Tacho/Speed/Pulse meter

(G) Display unit

(H) Sensor controller

(I) Switching power supply

(J) Proximity sensor

(K) Photo electric sensor

(L) Pressure sensor

(M) Rotary encoder

(N) Stepping motor & Driver & Controller

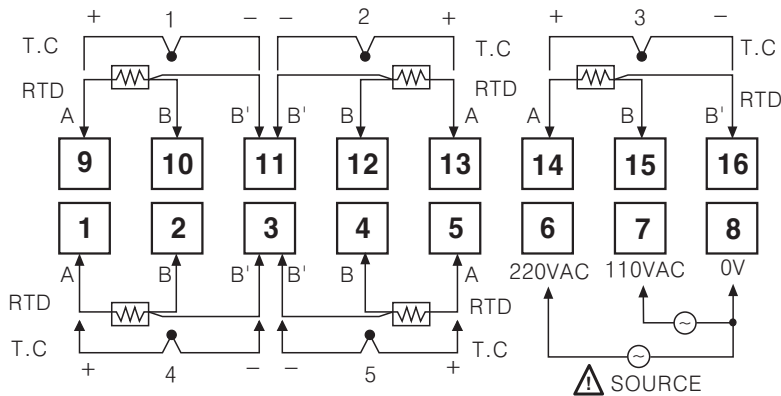
(O) Graphic panel

(P) Field network device

(Q) Production stoppage models & replacement

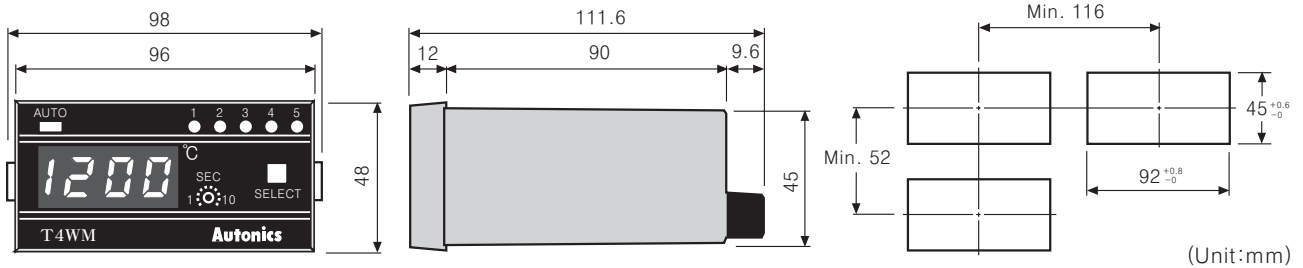
T4WM

Connections



※RTD(Resistance Temperature Detector) : Pt 100Ω(3-wire type), Thermocouple : K, J

Dimensions



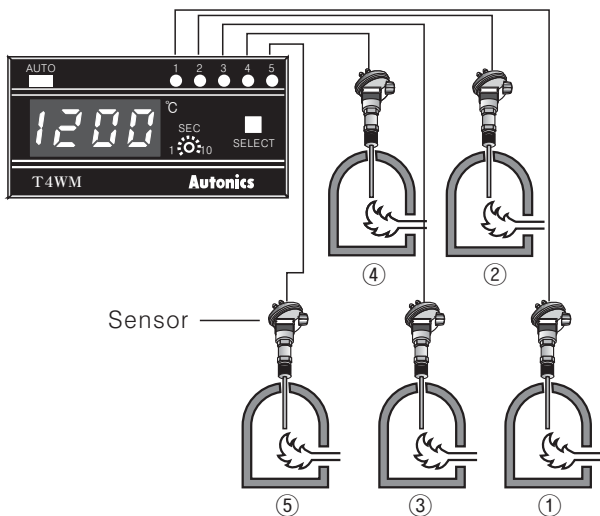
Mode selection

Manual selection and Automatic selection

Manual	Select switch	Auto
Sensor number is flashed when press it (Auto LED : OFF)		Auto lamp will be ON by pressing for 3sec. then run

Manual function

- Each time the switch is pressed, the LED of selected sensor number is flashing and display shows the temperature of that sensor.



Auto function

- Each temperature of sensor will be displayed automatically for setting time of Auto time.
- Auto time can be adjustable from 0 to 10sec.
- When it operates as Automatic function, Auto LED will be ON .

Selection of input sensor number by internal DIP switch

Max. 5 different sensors can be connected but do not use thermocouple and Pt100Ω together.

Sensor	2	3	4	5
DIP switch	ON 3 2 1 OFF	ON 3 2 1 OFF	ON 3 2 1 OFF	ON 3 2 1 OFF

Memory protection

When the power fails, the data value will be protected for 3 months.
(The battery must be charged fully.)