

# Touch Switch Type Temperature Controller

NEW

## Touch Switch Type Temperature Controller

### Features

- Realizes ideal temp. controlling with newly developed PID control algorithm and 100ms high speed sampling
- Relay output and SSRP output embodied together : SSRP output makes phase control and cycle control possible.
- Dramatically increased visibility using wide display part
- Mounting space saving with compact design : Approx. 38% reduced size compared with existing model(depth-based)
- SV/PV deviation indicatable



**⚠ Please read "Caution for your safety" in operation manual before using.**



### Ordering information

|          |              |          |           |              |              |                |                                    |
|----------|--------------|----------|-----------|--------------|--------------|----------------|------------------------------------|
| <b>T</b> | <b>C</b>     | <b>4</b> | <b>S</b>  | —            | <b>1</b>     | <b>4</b>       | <b>R</b>                           |
| Item     | Setting type | Digit    | Size      | Alarm output | Power supply | Control output |                                    |
|          | <b>C</b>     | <b>4</b> | <b>S</b>  | <b>N</b>     | <b>4</b>     | <b>N</b>       | Indicator – Without control output |
|          | <b>T</b>     |          | <b>SP</b> | <b>1</b>     |              | <b>R</b>       | Relay output+SSRP output           |
|          |              |          | <b>Y</b>  | <b>2</b>     |              |                | 100–240VAC 50/60Hz                 |
|          |              |          | <b>M</b>  | (※1)         |              | <b>N</b>       | No alarm output                    |
|          |              |          | <b>H</b>  | <b>1</b>     |              | <b>1</b>       | Alarm1 output                      |
|          |              |          | <b>W</b>  | <b>2</b>     |              | <b>2</b>       | Alarm1 output+Alarm2 output        |
|          |              |          | <b>L</b>  | (※2)         |              | <b>S</b>       | DIN W48×H48mm(Terminal block type) |
|          |              |          |           |              |              | <b>SP</b>      | DIN W48×H48mm(Plug type)           |
|          |              |          |           |              |              | <b>Y</b>       | DIN W72×H36mm                      |
|          |              |          |           |              |              | <b>M</b>       | DIN W72×H72mm                      |
|          |              |          |           |              |              | <b>H</b>       | DIN W48×H96mm                      |
|          |              |          |           |              |              | <b>W</b>       | DIN W96×H48mm                      |
|          |              |          |           |              |              | <b>L</b>       | DIN W96×H96mm                      |
|          |              |          |           |              |              | <b>4</b>       | 4Digit                             |
|          |              |          |           |              |              | <b>C</b>       | Set by touch switch                |
|          |              |          |           |              |              | <b>T</b>       | Temperature controller             |

- (※1) It is unavailable for TC4SP, TC4Y.
- (※2) TC4SP sockets (PG-11, PS-11) are sold separately.

### Specifications

| Series                  | TC4S  | TC4SP   | TC4Y       | TC4M       | TC4H       | TC4W      | TC4L |
|-------------------------|---|---|------------|------------|------------|-----------|------|
| Power supply            | 100–240VAC 50/60Hz  |   |            |            |            |           |      |
| Allowable voltage range | 90~110% of rated voltage  |   |            |            |            |           |      |
| Power consumption       | Max. 5VA  |   |            |            |            |           |      |
| Display method          | 7Segment (Red), Other display (Green, Yellow, Red LED)            |   |            |            |            |           |      |
| Character size          | W7×H15mm  | W7.4×H15mm  | W9.5×H20mm | W7×H14.6mm | W9.5×H20mm | W11×H22mm |      |
| Input type              | RTD   | DIN Pt100Ω (Allowable line resistance max. 5Ω per a wire)   |            |            |            |           |      |
|                         | TC  | K(CA), J(IC)  |            |            |            |           |      |
| Display method          | TC  | (★1) (PV ±0.5% or ±1℃ higher one) rdg ±1Digit   |            |            |            |           |      |
|                         | RTD   | (★2) *TC4SP (Plug type) is (PV ±0.5% or ±2℃ higher one) rdg ±1Digit<br>☞Based on normal temperature (23℃ ±5℃) |            |            |            |           |      |
| Control output          | Relay   | 250VAC 3A 1a  |            |            |            |           |      |
|                         | SSRP  | 12VDC ±2V 20mA Max.   |            |            |            |           |      |
| Sub output              | AL1, AL2 relay output : 250VAC 1A 1a(※TC4SP, TC4Y have AL1 only.) |   |            |            |            |           |      |
| Control method          | ON/OFF and P, PI, PD, PID control                                 |   |            |            |            |           |      |

- ※(★1)(PV ±0.5% or ±2℃ higher one) rdg ±1Digit, except normal temperature range.
- ※(★2)TC4SP is (PV ±0.5% or ±3℃ higher one) rdg ±1Digit, except normal temperature range.

- (A) Counter
- (B) Timer
- (C) Temp. controller
- (D) Power controller
- (E) Panel meter
- (F) Tacho/Speed/Pulse meter
- (G) Display unit
- (H) Sensor controller
- (I) Switching power supply
- (J) Proximity sensor
- (K) Photo electric sensor
- (L) Pressure sensor
- (M) Rotary encoder
- (N) Stepping motor & Driver & Controller
- (O) Graphic panel
- (P) Field network device
- (Q) Production stoppage models & replacement

# TC Series

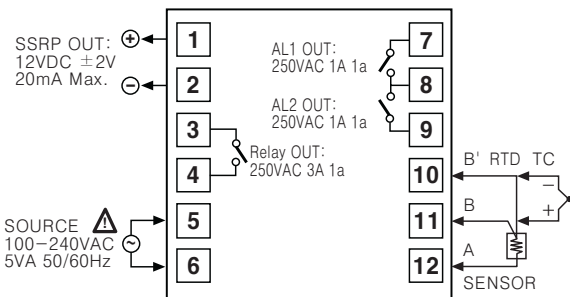
## Specifications

| Series                | TC4S  | TC4SP  | TC4Y         | TC4M         | TC4H         | TC4W         | TC4L         |
|-----------------------|---|--|--------------|--------------|--------------|--------------|--------------|
| Hysteresis            | 1 ~ 100°C (KCA, JIC, PT1) / 0.1 ~ 50.0°C (PT2)                                    |  |              |              |              |              |              |
| Proportional band     | 0.1 ~ 999.9°C   |  |              |              |              |              |              |
| Integral time(I)      | 9999sec.  |  |              |              |              |              |              |
| Derivative time(D)    | 9999sec.  |  |              |              |              |              |              |
| Control period        | 0.5 ~ 120.0sec.   |  |              |              |              |              |              |
| Manual reset          | 0.0 ~ 100.0%  |  |              |              |              |              |              |
| Sampling period       | 100ms   |  |              |              |              |              |              |
| Dielectric strength   | 2000VAC 50/60Hz for 1min. (Between input terminal and power terminal)             |  |              |              |              |              |              |
| Vibration             | 0.75mm amplitude at frequency of 5~55Hz in each X, Y, Z directions for 2 hours    |  |              |              |              |              |              |
| Relay life cycle      | Mechanical  | Mechanical : Min. 10,000,000 operations, Electrical : Min. 100,000 operations (250VAC 3A resistive load) |              |              |              |              |              |
|                       | Electrical  | Mechanical : Min. 10,000,000 operations, Electrical : Min. 300,000 operations (250VAC 1A resistive load) |              |              |              |              |              |
| Insulation resistance | Min. 100MΩ (at 500VDC mega)   |  |              |              |              |              |              |
| Noise                 | Square shaped noise by noise simulator (pulse width 1μs) ±2kV R-phase and S-phase |  |              |              |              |              |              |
| Memory retention      | Approx. 10 years (When using non-volatile semiconductor memory type)              |  |              |              |              |              |              |
| Ambient temperature   | -10 ~ 50°C (at non-freezing status)   |  |              |              |              |              |              |
| Storage temperature   | -20 ~ 60°C (at non-freezing status)   |  |              |              |              |              |              |
| Ambient humidity      | 35 ~ 85%RH  |  |              |              |              |              |              |
| Unit weight           | Approx. 97g   | Approx. 84g  | Approx. 127g | Approx. 127g | Approx. 118g | Approx. 118g | Approx. 172g |
| Approval              | CE c RU US  |  |              |              |              |              |              |

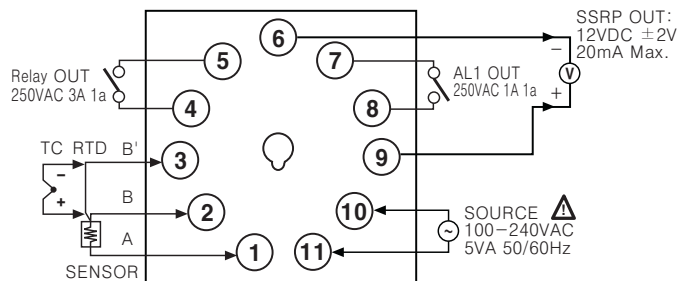
## Connections

※TC4 series has both Main Out and SSR Out. You may select the model as your needs.

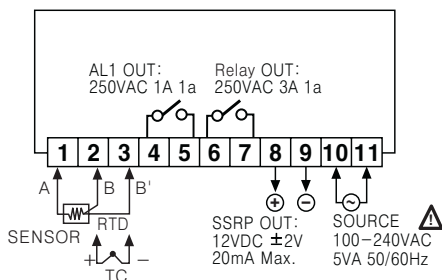
### TC4S



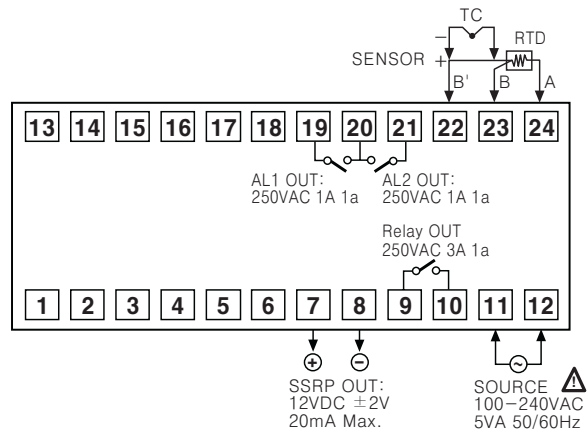
### TC4SP



### TC4Y



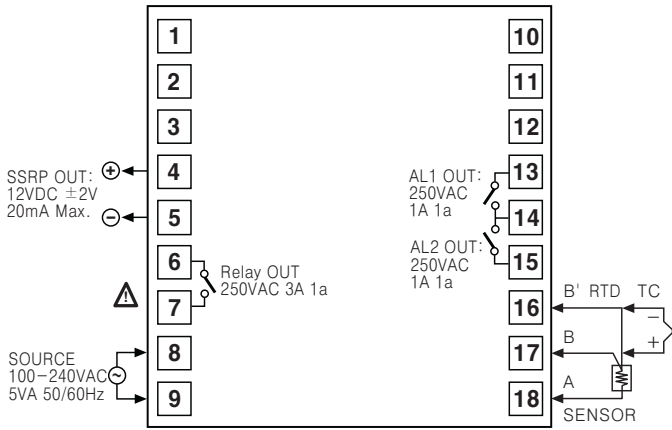
### TC4W



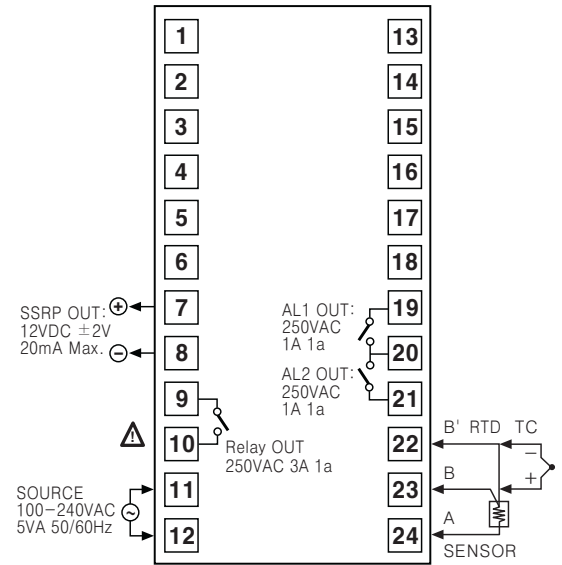
# Touch Switch Type Temperature Controller

- (A) Counter
- (B) Timer
- (C) Temp. controller
- (D) Power controller
- (E) Panel meter
- (F) Tacho/Speed/Pulse meter
- (G) Display unit
- (H) Sensor controller
- (I) Switching power supply
- (J) Proximity sensor
- (K) Photo electric sensor
- (L) Pressure sensor
- (M) Rotary encoder
- (N) Stepping motor & Driver & Controller
- (O) Graphic panel
- (P) Field network device
- (Q) Production stoppage models & replacement

## ●TC4M



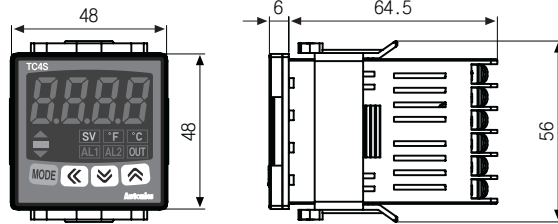
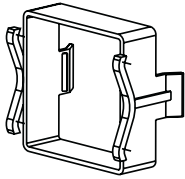
## ●TC4H/L



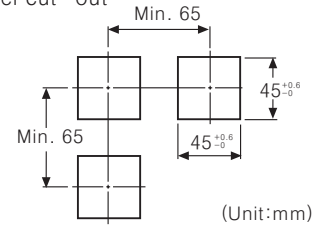
## ■Dimensions

### ●TC4S

#### ●Bracket

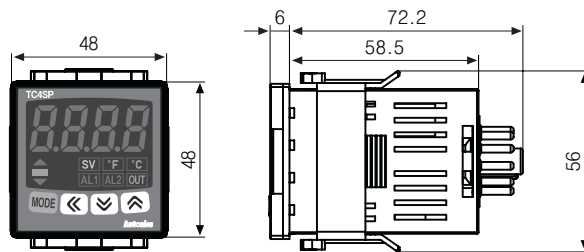
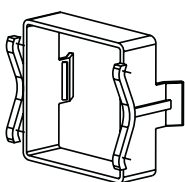


#### ●Panel cut-out

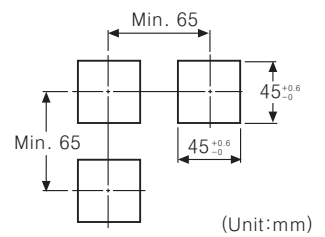


### ●TC4SP

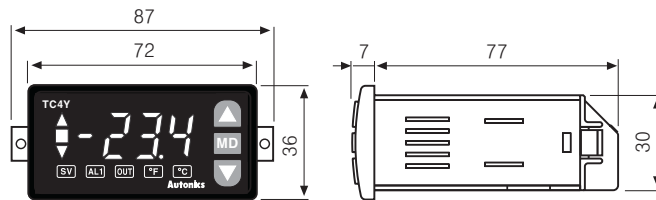
#### ●Bracket



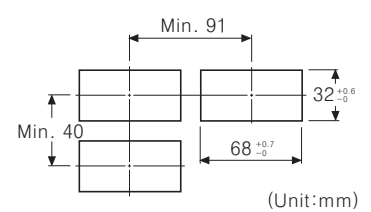
#### ●Panel cut-out



### ●TC4Y

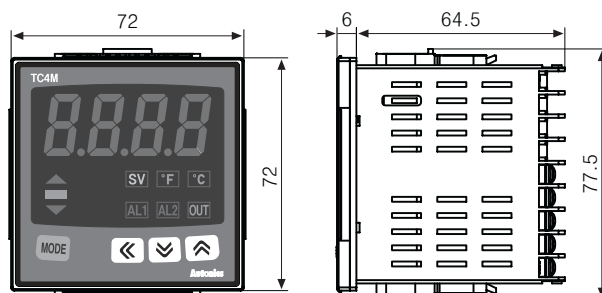
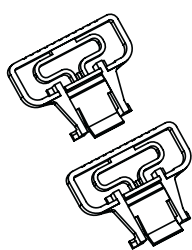


#### ●Panel cut-out

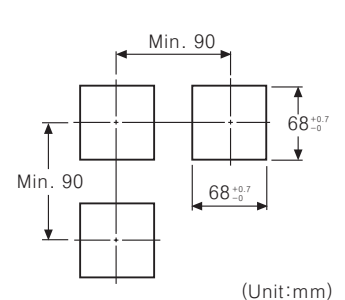


### ●TC4M

#### ●Bracket



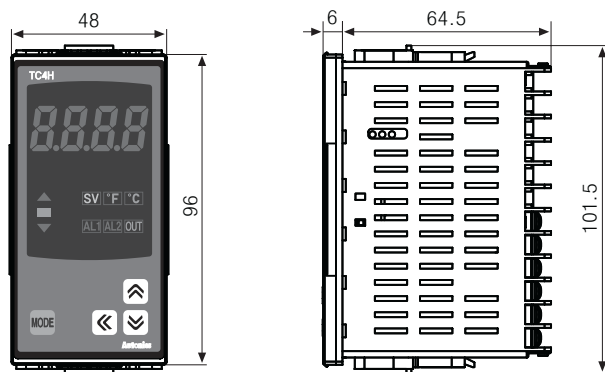
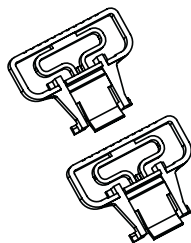
#### ●Panel cut-out



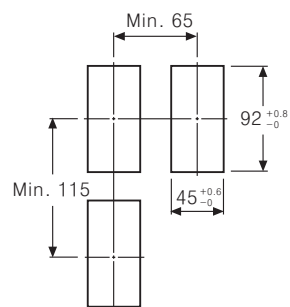
# TC Series

## ●TC4H

### ●Bracket



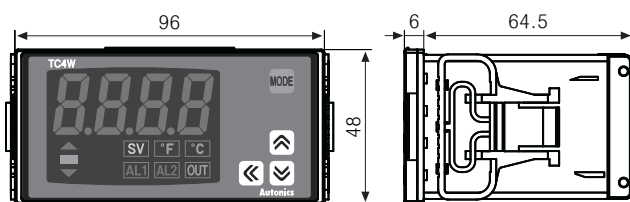
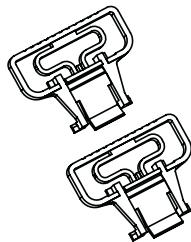
### ●Panel cut-out



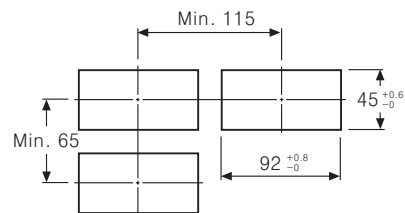
(Unit:mm)

## ●TC4W

### ●Bracket



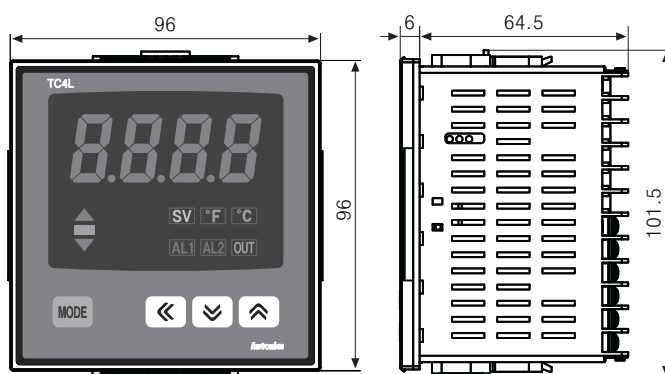
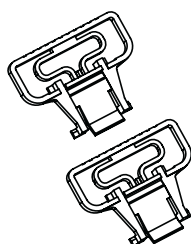
### ●Panel cut-out



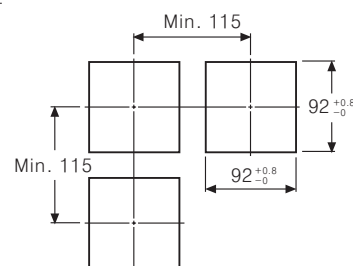
(Unit:mm)

## ●TC4L

### ●Bracket



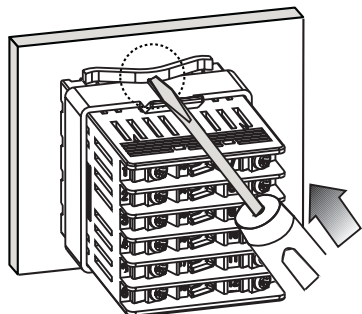
### ●Panel cut-out



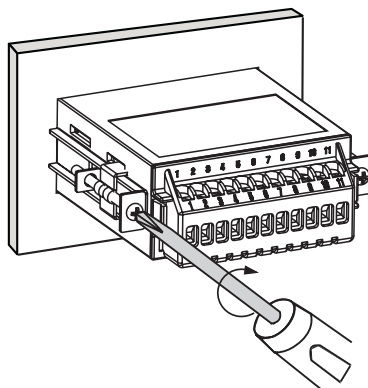
(Unit:mm)

## ■Product mounting

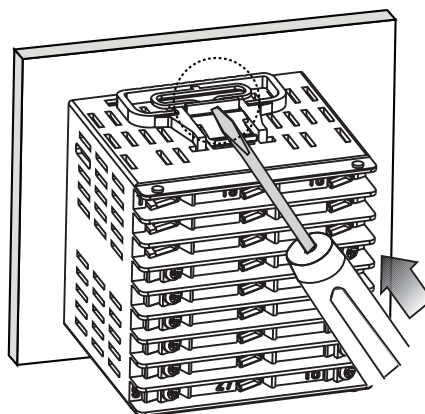
### ●TC4S/SP(48×48mm) series



### ●TC4Y(72×36mm) series



### ●Other series

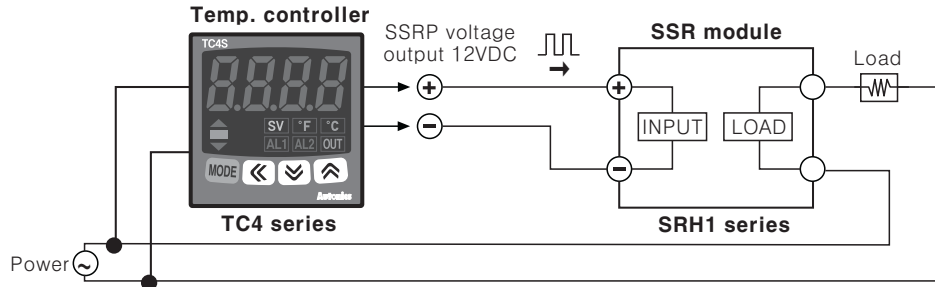


※Insert product into a panel, fasten bracket by pushing with tools as shown above.  
(In case of TC4Y, fasten the bracket bolts.)

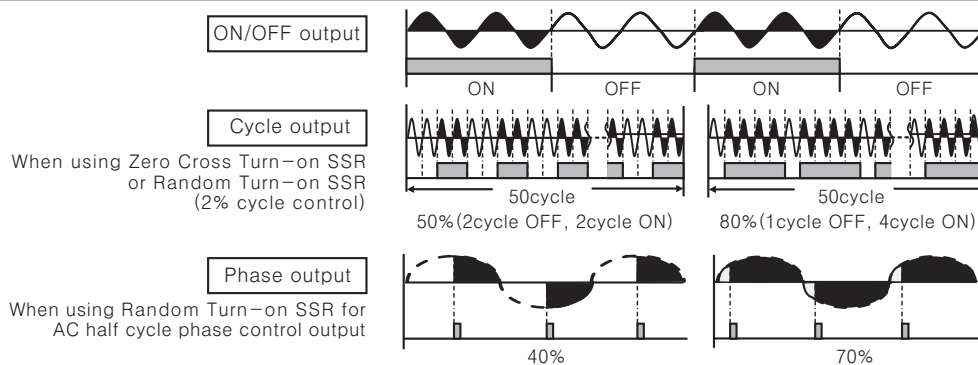
# Touch Switch Type Temperature Controller

## ■ SSRP(Solid State Relay Phase Output) output function [ 55r.n ]

- SSRP is a user selectable output type which phase control and cycle control are added to standard SSR drive output.
- Standard SSR output is still available by internal parameter setting [ 55r.n ]; in addition, "cycle control" with connecting Zero cross turn-on type SSR or Random turn-on type SSR and "phase control" with connecting Random turn-on type SSR are also available.
- Realizing high accuracy and cost effective temperature control with both current output(4-20mA) and linear output(cycle control and phase control).

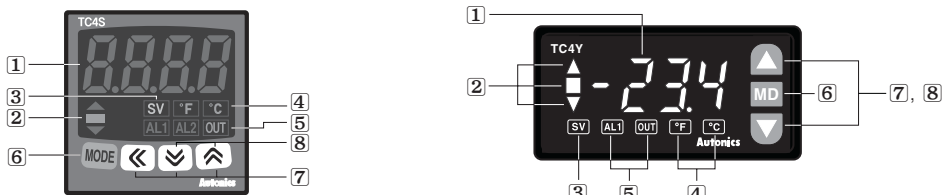


※You can select the functions with parameter settings.



- Standard control mode [ 5tnd ]  
A mode to control the load in the same way as RELAY output type. (ON: output level 100%, OFF: output level 0%)
  - Cycle control mode [ 5yct ]  
A mode to control the load by repeating output ON / OFF according to the rate of output within setting cycle  
Having improved ON / OFF noise feature (ZERO CROSS type)
  - Phase control mode [ 5pha ]  
A mode to control the load by controlling the phase within AC half cycle.  
Serial control is available  
RANDOM Turn-on type SSR must be used for this mode.
- ※When selecting phase or cycle control mode, the power supply for load and temperature controller must be the same.  
※In case of selecting PID control type and phase / cycle control output modes, control cycle (t) is not allowed to set.

## ■ Parts description

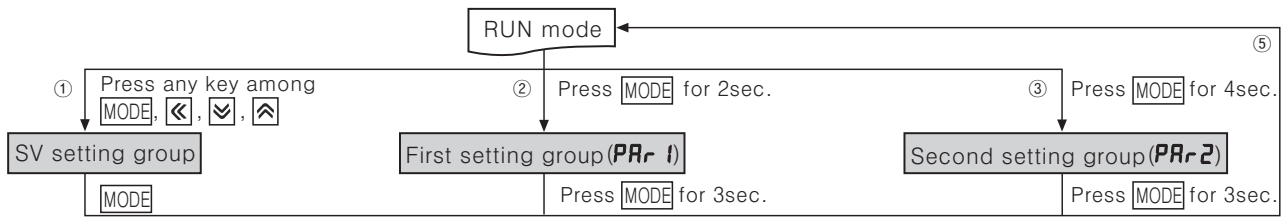


- Temperature display  
It shows current temperature (PV) in RUN mode and parameter and set value for each setting group in parameter change mode.
- Deviation and Auto-tuning indicator  
It shows current temperature (PV) based on set temperature (SV) by LED.  
Deviation indicators (▲, ■, ▼) are flashed by every 1sec when operating auto-tuning.
- Set temperature (SV) indicator  
Press any front key once to check or change current set temperature (SV), set temperature (SV) indicator is on and preset set value is flashed.
- Temperature unit (°C/°F) indicator : It shows current temperature unit.
- Control/alarm output indicator  
-OUT : It will light up when control output (Main Control Output) is on.  
※It will light up over 3.0% of operation in CYCLE/PHASE control.  
-AL1/AL2 : It will light up when alarm output AL1/AL2 are on.
- MODE Key : Used when entering into parameter setting group, returning to RUN mode, moving parameter and saving setting values.
- Adjustment : Used when entering into set value change mode, Digit moving and Digit Up/down.
- FUNCTION key : Press (▼)+(▲) keys for 3 sec to operate function (RUN/STOP, alarm output cancel) set in inner parameter [dl -E].  
※Press (▼)+(▲) keys once in set value operation to move digit.

|     |  |
|-----|--|
| (A) | Counter                                  |
| (B) | Timer                                    |
| (C) | Temp. controller                         |
| (D) | Power controller                         |
| (E) | Panel meter                              |
| (F) | Tacho/Speed/Pulse meter                  |
| (G) | Display unit                             |
| (H) | Sensor controller                        |
| (I) | Switching power supply                   |
| (J) | Proximity sensor                         |
| (K) | Photo electric sensor                    |
| (L) | Pressure sensor                          |
| (M) | Rotary encoder                           |
| (N) | Stepping motor & Driver & Controller     |
| (O) | Graphic panel                            |
| (P) | Field network device                     |
| (Q) | Production stoppage models & replacement |

# TC Series

## Flow chart for setting group



④

|      |                      |
|------|----------------------|
| AL-1 | Alarm1 setting value |
| AL-2 | Alarm1 setting value |
| AL   | Auto-tuning execute  |
| P    | Proportional band    |
| I    | Integral time        |
| d    | Derivation time      |
| r-ES | Manual reset         |
| HYS  | Hysteresis           |

|       |                             |
|-------|-----------------------------|
| In-t  | Input type                  |
| Unit  | Temperature unit            |
| In-b  | Input bias                  |
| nARF  | Input digital filter        |
| L-Su  | SV low limit                |
| H-Su  | SV high limit               |
| o-Ft  | Control operating type      |
| C-n   | Control method              |
| oUt   | Control output type         |
| SSr-n | SSRP output method          |
| t     | Control time                |
| AL-1  | Alarm1 mode                 |
| AL-2  | Alarm2 mode                 |
| AHYS  | Alarm hysteresis            |
| LbARt | LBA monitoring time         |
| LbARs | LBA detection setting value |
| LbARb | LBA detection band          |
| dl-U  | Function key operation      |
| Er-nu | Input error MV              |
| LoC   | Lock                        |

※Parameter marked in [ ] might not be displayed depending on other parameter settings.

- ① Press any key once in RUN mode, it advances to set value setting group.
- ② Press **MODE** key over 2sec in RUN mode, it advances to setting group 1.
- ③ Press **MODE** key over 4sec in RUN mode, it advances to setting group 2.
- ④ First parameter will be displayed on viewer when it advances to the setting group.
- ⑤ Press **MODE** key over 3sec in the setting group, it returns to RUN mode.  
[※Exception : Press **MODE** key once in setting group of set value, it returns to RUN mode.]

※If no key touched for 30sec, it will return to RUN mode automatically and the set value of parameter will not be changed.

※Press **MODE** key again within a sec after return to RUN mode by press **MODE** key over 3sec, it advances to the first parameter of previous setting group.

※Parameter setup

Setting group2 → Setting group1 → Setting group of set value

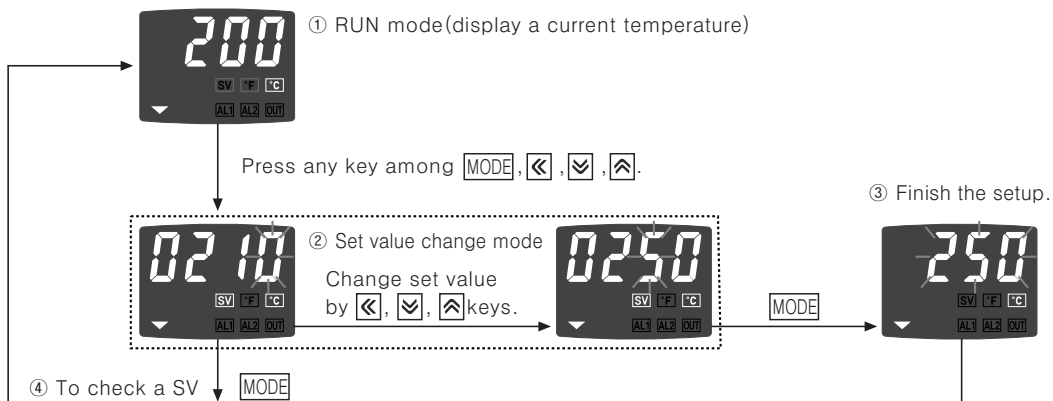
- Set parameter as the above considering parameter relation of each setting group.
- Check parameter set value after change parameter of setting group2.
- Parameter marked in [ ] would not be displayed by another parameter setting.

※Indicator type displays colored parameter of setting group2.

※AL-2 and AL-2 parameter display is available with only "Alarm output 1 + Alarm output 2" model.

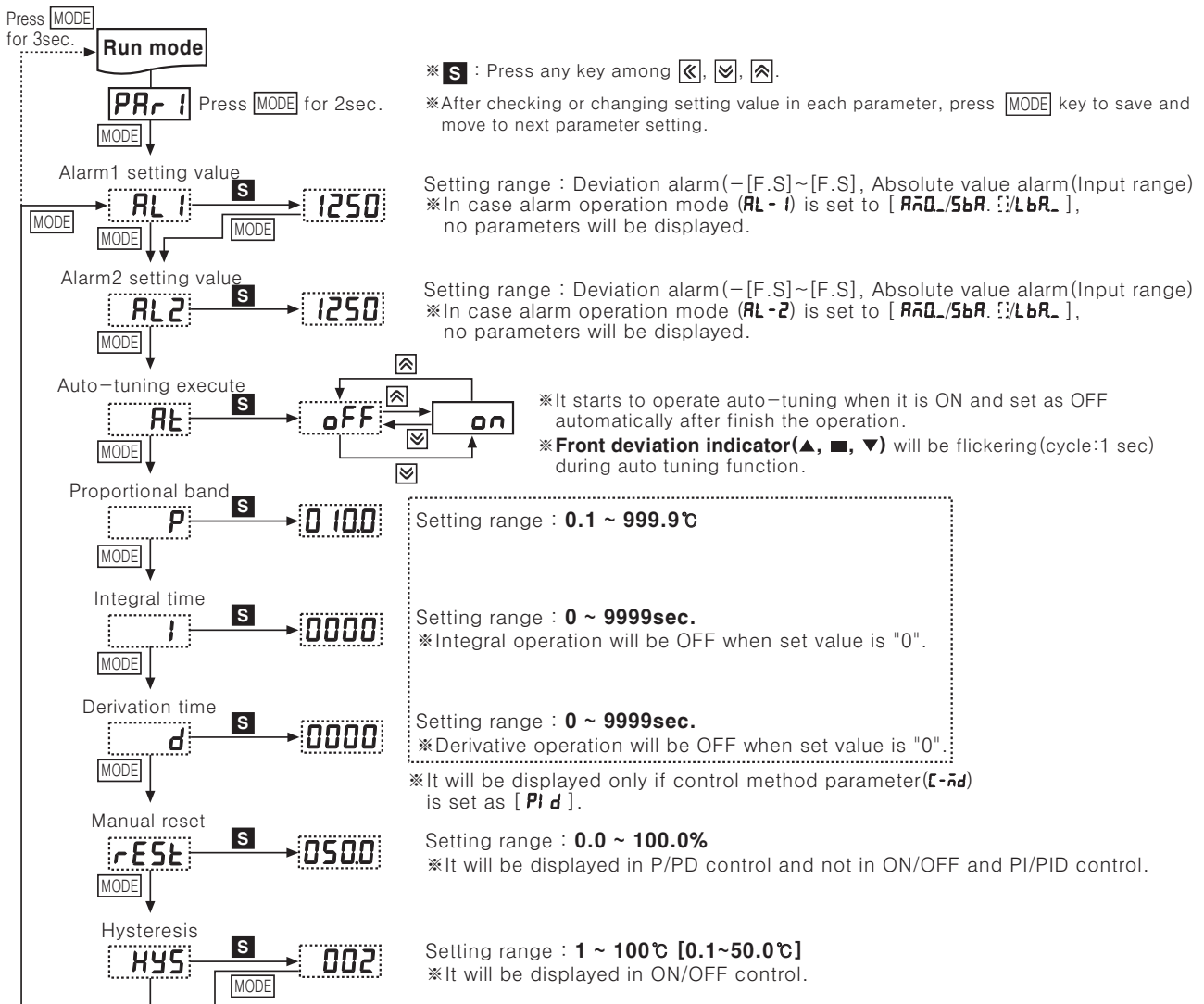
※AHYS parameter will not be displayed when AL-1 or AL-2 is set to LBA or HBA.

## Flow chart for SV setting group (※To change preset temperature 210°C into 250°C.)

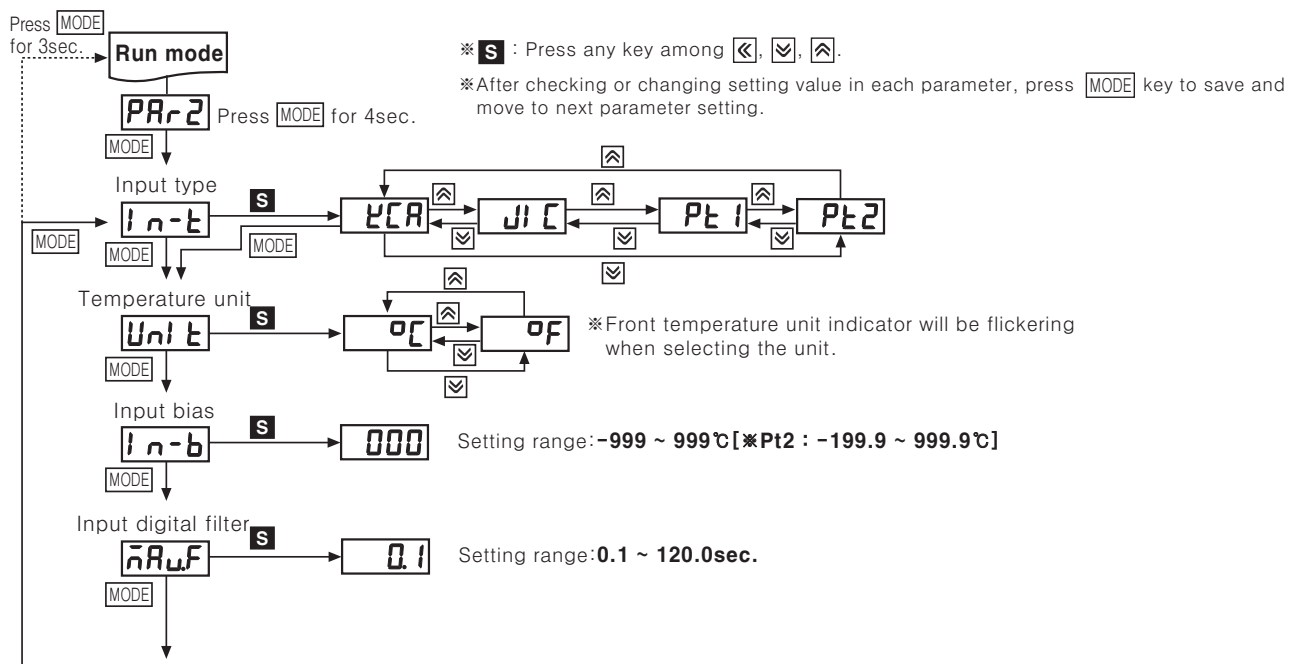


# Touch Switch Type Temperature Controller

## Flow chart for first setting group

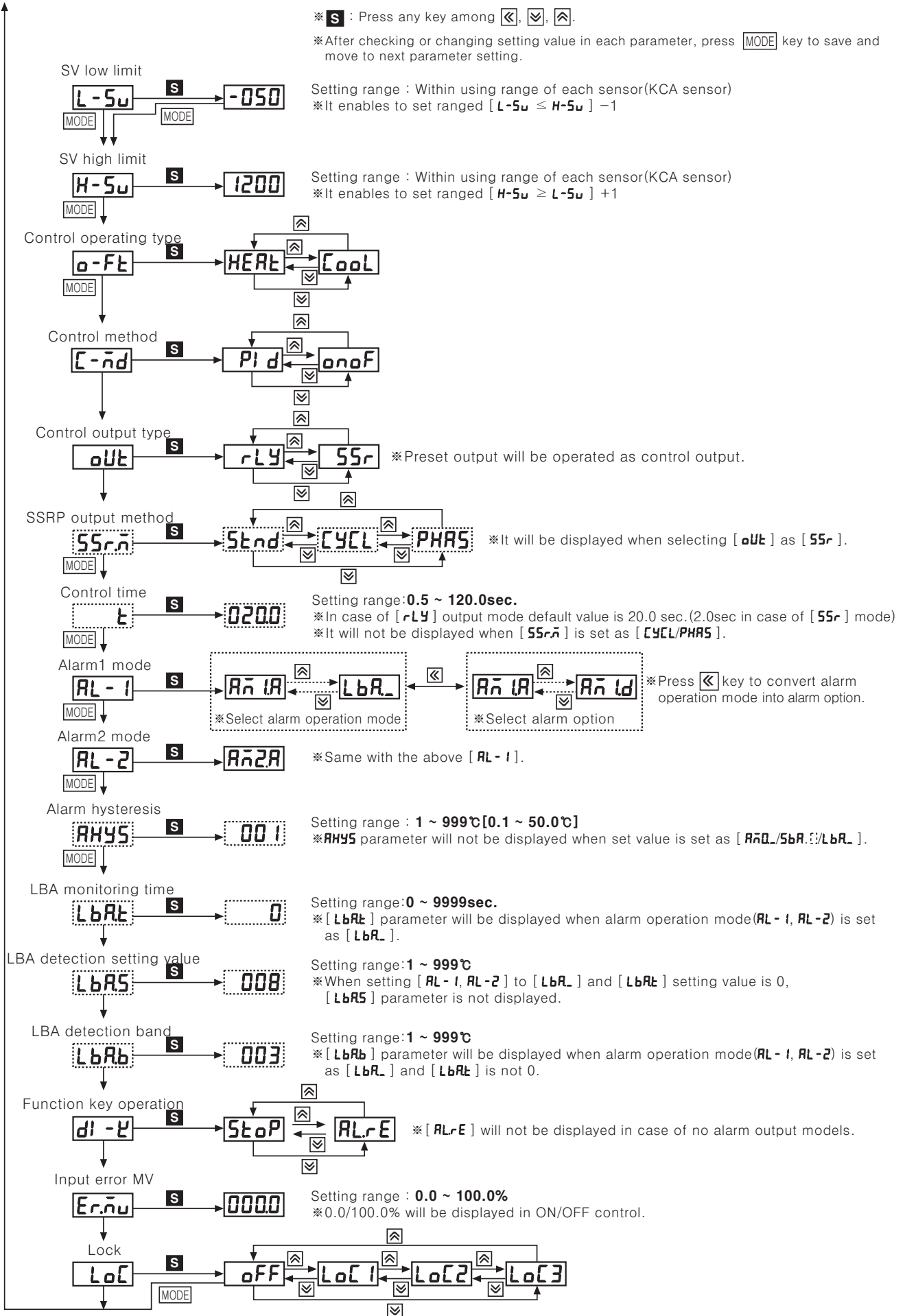


## Flow chart for second setting group



- (A) Counter
- (B) Timer
- (C) Temp. controller
- (D) Power controller
- (E) Panel meter
- (F) Tacho/Speed/Pulse meter
- (G) Display unit
- (H) Sensor controller
- (I) Switching power supply
- (J) Proximity sensor
- (K) Photo electric sensor
- (L) Pressure sensor
- (M) Rotary encoder
- (N) Stepping motor & Driver & Controller
- (O) Graphic panel
- (P) Field network device
- (Q) Production stoppage models & replacement

# TC Series





# Touch Switch Type Temperature Controller

## ■ Factory default

### ● First setting group

| Mode | Setting value | Mode | Setting value | Mode | Setting value | Mode | Setting value |
|------|---------------|------|---------------|------|---------------|------|---------------|
| AL1  | 1250          | At   | oFF           | l    | 0             | rEst | 500           |
| AL2  | 1250          | P    | 100           | d    | 0             | HYS  | 2             |

### ● Second setting group

| Mode | Setting value | Mode | Setting value | Mode  | Setting value | Mode | Setting value | Mode  | Setting value |
|------|---------------|------|---------------|-------|---------------|------|---------------|-------|---------------|
| ln-t | YCA           | L-Su | -50           | oUt   | rLY           | AL-2 | An2A          | LbAb  | 3             |
| Unlt | °C            | H-Su | 1200          | SSr-n | Stnd          | AHYS | l             | dl-t  | StoP          |
| ln-b | 0             | o-Ft | HEAt          | t     | 200           | LbAt | 0             | Er-nu | 00            |
| nRwF | 0.1           | C-nd | PI d          | AL-1  | An1A          | LbAS | 8             | LoC   | oFF           |

## ■ Input sensor and range [ ln-t ]

● Select proper input sensor type by user application.

| Input sensor |           | Display | Input range °C   | Input range °F   |
|--------------|-----------|---------|------------------|------------------|
| ThermoCouple | K(CA)     | YCA     | -50 ~ 1200°C     | -58 ~ 2192°F     |
|              | J(IC)     | JIC     | -30 ~ 500°C      | -22 ~ 932°F      |
| RTD          | DIN rated | Pt 1    | -100 ~ 400°C     | -148 ~ 752°F     |
|              |           | Pt 2    | -100.0 ~ 400.0°C | -148.0 ~ 752.0°F |

## ■ Function

See C-25 page for TC / TD common features.

### ◎ SV / PV deviation display function

- A function to display SV / PV deviation on front lamp
- When PV is higher than SV over +2°C (+2.0°C), ▲ (RED) lamp is ON. (PV > SV + 2.0°C)
- When PV / SV deviation is ±2°C (±2.0°C), ■ (GREEN) lamp is ON. (SV + 2.0°C ≥ PV ≥ SV - 2.0°C)
- When PV is lower than SV over -2°C (-2.0°C), ▼ (RED) lamp is ON. (PV < SV - 2.0°C)

### ◎ Control output type selection [ oUt ]

- A function to select control output type; Relay output (rLY), SSRP voltage output (SSr-n).
- ※ In case of selecting SSRP voltage output, SSRP output method (SSr-n) selection parameter is displayed.

### ◎ Lock setting [ LoC ]

- It locks set value and parameter change of the group.
- It enables to check parameter set value of locked setting group.

| Display | Description                               |
|---------|---|
| oFF     | Lock off                                  |
| LoC1    | Lock setting group 2                      |
| LoC2    | Lock setting group 1, 2                   |
| LoC3    | Lock setting group 1, 2, SV setting group |

※ oFF, LoC1 are available only for indicator (TC4□-N□N).

### ◎ Error

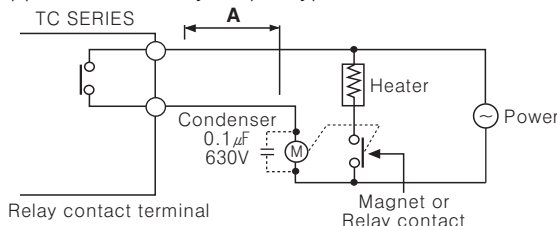
- Error mark will flash (every 1sec) in PV viewer when error is occurred during the control operation.

| Display | Description   |
|---------|---|
| oPEn    | If input sensor is disconnected or sensor is not connected. |
| HHHH    | If measured sensor input is higher than temperature range.  |
| LLLL    | If measured sensor input is lower than temperature range.   |

- It will operate normally, if input sensor is connected or returned to normal range under error oPEn / HHHH / LLLL status.

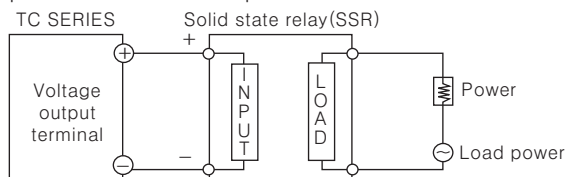
### ◎ Output connections

- Application of relay output type



Keep power relay as far away as possible from temperature controller. If wires length of **A** is short, electromotive force occurred from a coil of magnet switch & power relay may flow in power line of the unit, it may cause malfunction. If wires length of **A** is short, please connect a mylar condenser 104 (630V) across coil of the power relay "M" to protect electromotive force.

- Application of SSRP output method



- ※ SSR should be selected by the capacity of load, otherwise, it may short-circuit and result in a fire. Indirect heated should be used with SSR for efficient working.
- ※ Please use a cooling plate or it may cause the capability deterioration, breakdown of SSR for a long usage.
- ※ Refer to C-12 page for phase / cycle control connections.

(A) Counter

(B) Timer

(C) Temp. controller

(D) Power controller

(E) Panel meter

(F) Tacho/Speed/Pulse meter

(G) Display unit

(H) Sensor controller

(I) Switching power supply

(J) Proximity sensor

(K) Photo electric sensor

(L) Pressure sensor

(M) Rotary encoder

(N) Stepping motor & Driver & Controller

(O) Graphic panel

(P) Field network device

(Q) Production stoppage models & replacement