

## E-Stop Pushbutton

- Model: LAY5-BS542
- Description: Red Mushroom Head Pushbutton, Turn to Release, N/C
- Pic:

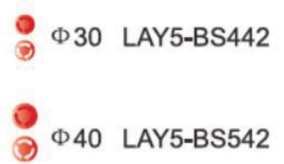


Turn to release

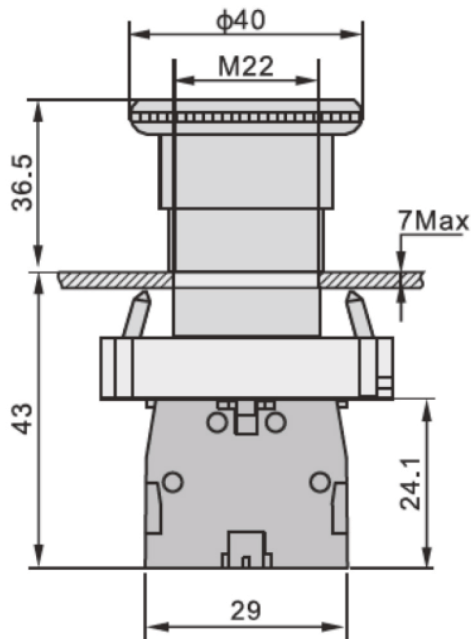
N/C



Red



### ➤ Drawings



## Work environment

- Surrounding Temperature:  $-25^{\circ}\text{C}\sim+55^{\circ}\text{C}$
- Air Relative humidity:  $\leq 85\%$
- Vibration Frequency:  $2\sim 80\text{Hz}$
- Acceleration Speed:  $0.7\text{h/g}$
- Altitude:  $\leq 2000\text{m}$

## Main technical parameter

- Rated Insulation Voltage:  $600\text{V AC (50Hz/60Hz)}$
- Conventional Heating Current:  $10\text{A}$
- Insulation Resistance:  $\geq 50\text{M}\Omega$
- Contact Resistance:  $\leq 25\text{Min}\Omega$
- Min. mA current at  $12\text{VDC}$ :  $15\text{mA}$