



上海红波电器有限公司

SHANGHAI HONGBO ELECTRIC CO.,LTD.

规格书

Specification

产品类别 (product type): 防水金属按钮 Waterproof metal switch		
产品名称 (product name): Φ 19mm ring led Metal Push button switch		
产品编号 (part No.): HBS1GQ-11E/G/24V/L/S		
签核 (Signatures)		
核准 (Approved)	审核 (Checked)	制定 (Drawn)

客户 (Customer)		
公司名称 (Corporation):		
物料名称 (Part No.): HBS1GQ-11E/G/24V/L/S		
客户确认 (Customer Signatures)		

地址 1: 浙江省温州市柳市朝阳工业区 地址 2: 上海市奉贤区四团经济园区

Factory Add 1: Chaoyang Industrial Zone, Liushi Town, Wenzhou, Zhejiang, China

电话 (Tel): 021-51097666

传真 (Fax): 021-51079666

网址 (web site): <http://www.hban.cc>

邮箱(mail): hb@hban.cc



上海红波电器有限公司

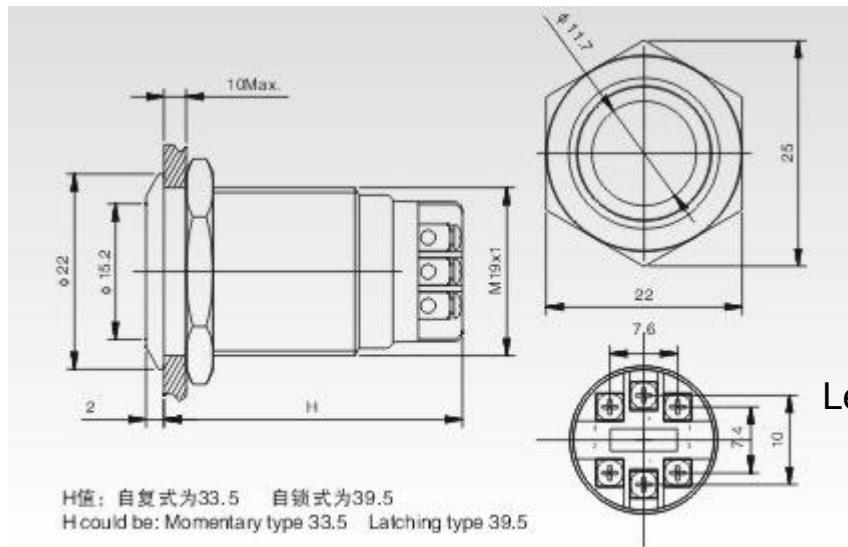
SHANGHAI HONGBO ELECTRIC CO.,LTD.

Part No.: HBS1GQ-11E/G/24V/L/S	
Feature	特征
*Waterproof, IP65	*防水, IP65
*Destruction resistance, IK09	*抗破坏, IK09
* Screw Terminal	*接线柱
Descriptions	描述
*The crust of this push button switch with diameter $\Phi 19\text{mm}$ is Stainless Steel	*这款 $\Phi 19\text{mm}$ 按钮外壳是不锈钢
The material of button is Stainless Steel	按键材料是不锈钢
Applications	应用
*Shipping	*船舶
*Security Equipment	*安防设备
*Household appliance	*家用电器
*Medical equipment	*医疗设备
*Etc.	*等等
Package dimension (产品外型尺寸)	



1. 按键 Button: 不锈钢 Stainless Steel
2. 硅胶防水垫圈 Black Waterproof Coil : Silicone rubber
3. 螺母 Nut: 黄铜镀镍 Nickel-plated Brass
4. 外壳 Crust: 不锈钢 Stainless Steel
5. 基座 Base: PBT
6. 黄铜 62 镀金螺丝脚 Screw terminal: Gold-plated Brass

7. 黄铜 62 镀金螺丝脚 Screw terminal: Gold-plated Brass



Length: Momentary 33.5mm

Latching 39.5mm

Mounting Hole Size: Φ 19mm

Contact Configuration: 1NO1NC

Rating Value: 5A/250VAC

Operation Type: Momentary/Latching

The Crust Material: Stainless Steel

IP Degree: IP65, IK09

开关结构说明 Switch Structure Explanation

型式Type	Za
示意图 Diagram	
符号 Symbol	
说明 Explanation	<p>具有四个端子的双断点快动转换触头开关 Double break snap-action changeover contacts switch with four terminals.</p>

引脚说明 Pin Description

<p>1、2为常闭触头NC: pin1, pin2 is normally closed contact NC. 3、4为常开触头NO: pin3, pin4 is normally open contact NO. +、-脚为灯珠引脚, 常规灯珠配置无正负极区分; +、- pins are LED lamp pins, normal lamp configuration has no differentiate between positive and negative; 灯珠与开关相对独立, 可通过开关或外围电路控制灯珠状态。 LED and switch pin are separated, but switch and external circuit can control the LED state by connecting the LED pin.</p>

主要参数 Main technical parameter

产品规格 Specification		HBS1GQ-11E/G/24V/L/S
头部形状 Head shape		平圆形 Flat Round
引脚类型 Terminal type		接线柱 Screw terminal
开关规格 Switch type		Za(双断点快动转换触头)Za(Double-break point fast-motion changeover contact)
接触电阻 Contact Resistance		$\leq 50m\Omega$
绝缘电阻 Insulation Resistance		$\geq 1000M\Omega$
绝缘强度 Dielectric Indensity		2000VAC
环境温度 Operating Temp		-20℃- +55℃
机械寿命 Mechanical Life		1,000,000 cycles
电气寿命 Electric Life		5,0000 cycles
面板厚度 Panel thickness		1 -10mm
螺母扭矩 Nut Torque		5-14Nm
防护等级 Protection Degree		IP65,IK09
材料 Material	触点 Contact	银合金 Silver Alloy
	按键 Button	不锈钢 Stainless Steel
	外壳 Case	不锈钢 Stainless Steel
	基座 Base	PBT
Led parameter 带灯部分参数	带灯类型 Led Type	环形带灯 Ring Led
	额定电压 Rated voltage	3V/6V/12V/24V/110V/220V
	灯珠颜色 Led color	Red/Green/Blue/Orange/White/Yellow
	灯珠寿命 Life	50,000hours

包装 Package



Waterproof coil installation method

④ 防水圈安装方法 Waterproof coil installation method

方案 Program	置于面板前端 In the panel front	置于面板后端 In the panel rear
安装示意图 Installation Diagram	<p>O型防水圈 Type O waterproof coil</p>	<p>O型防水圈 Type O waterproof coil</p>



Zhejiang LEAD Product Technic Co.,LTD

TEST REPORT

Refer. No: STL/R134871

1. Consigned test: IP65 Test
2. Testing laboratory: Zhejiang LEAD Product Technic Co., Ltd.
3. Date(s) of performance of test: Aug 9, 2013 ~ Aug 12, 2013
4. Test item description: Push Button Switch
5. Model/Type reference: HBS1GQ-11E/L/S
6. Test sample quantity: 1
7. Test sample tag: 134871-1
8. Manufacturer: Yueqing Dahe Electric Co., Ltd.
9. Applicant: Yueqing Dahe Electric Co., Ltd.
10. Test standard: IEC60529:2001 Degrees of protection provided by enclosure(IP code)
11. Test results:

IEC60529: 2001	Test	Requirement	Verdict
5.1.6	Protected against access to hazardous parts with a wire	The access probe of 1.0mm Φ shall not penetrate	P
5.2.6	Dust-tight	No ingress of dust	P
6.5	Protected against water jets	Water projected in jets against the enclosure from any direction shall have no harmful effects	P

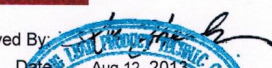
Testing conclusion: the sample pass IP65 Test

12. Test instruction: only test on the surface of the push button

13. The test results presented in this report relate only to the object tested.

14. This test report relates to the a.m. test item. Without written permission of ZHEJIANG LEAD this test report is not permitted to be duplicated in extracts. This test report does not entitle to carry the test mark on this or similar products.



Approved By: 

Date: Aug 12, 2013

Address: No. 99, East Fengqi Road, Hangzhou, 310020, P.R. China
Code: 310020 Tel: 0571-28969000 Fax: 0571-28969111
Email: stlea@zjq.gov.cn / lead@lead-int.com

