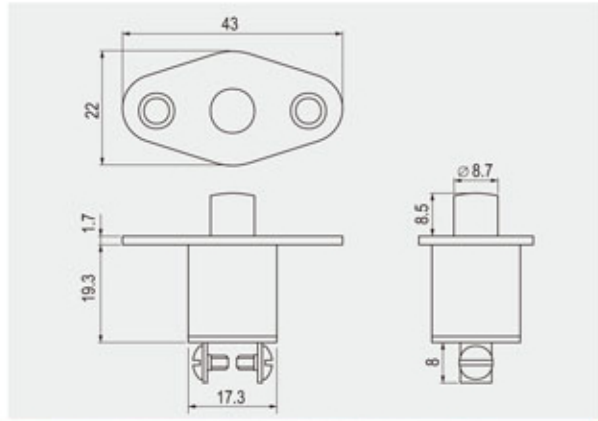


R13-52

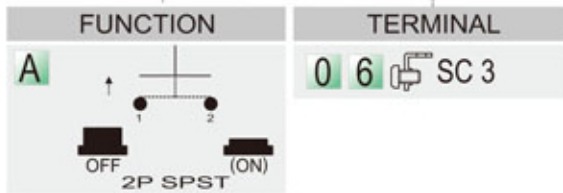
Screw Mounting Type



FEATURES

- * MATERIAL: Frame and Actuator are ABS (UL flame: 94-HB). Terminals are brass plated.
- * Mounted by screws.
- * Application: Doorbell.

R13-52 -



* () =momentary



0.75A 125V AC
0.25A 250V AC

Contact resistance

50mΩ Max

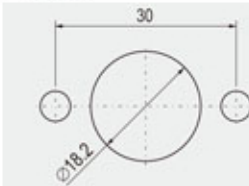
Insulation resistance

DC 500V 100MΩ Min

Dielectric strength

AC 1500V 1 minute

Cut-out



±0.15 4 mm max