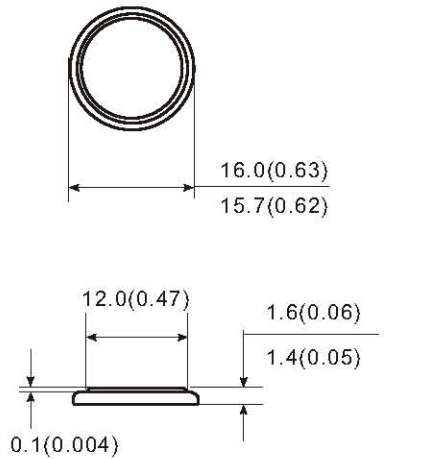


## LITHIUM BUTTON CELL

Document Title: PB041616

# CR1616



Unit:mm(inch)

**Chemical System :** Lithium/Manganese Dioxide

**IEC Name:** CR 1616

**ANSI/NEDA:** 5021LC

**Camelion Model :** CR1616

**Average Weight :** 1.2g

**Dimension ( Ø x H ):** 16.0<sup>-0.3</sup>x1.6<sup>-0.2</sup>mm  
0.63<sup>-0.01</sup>x0.06<sup>-0.01</sup>inch

**Terminals:** Flat

**Nominal Voltage :** 3.0Volts

**Capacity :**50mAh

(20±2°C, Rated at 30kΩ to 2.00V)

**Standard Discharge Current:** 0.1mA

**Max. Continuous Discharge Current:** 0.3mA

**Max. Pulse Discharge Current:** 8.0mA

**Operating Temperature:** -20°C~60°C

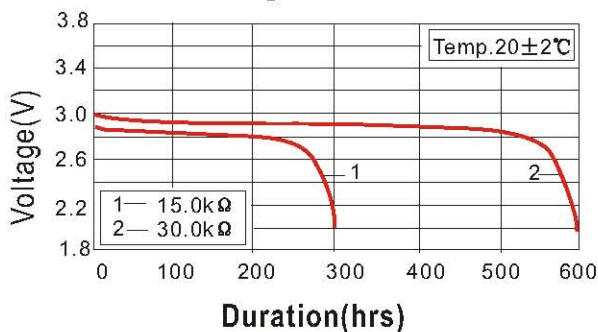
**Storage Conditions**

**Temperature:** -20°C~45°C

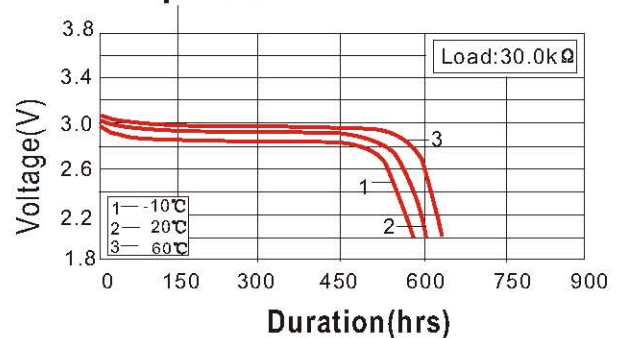
**Relative Humidity:** 60±15%

**Cross Reference:** E-CR1616(Energizer),  
DL1616(Duracell),KECR1616(Rayovac)

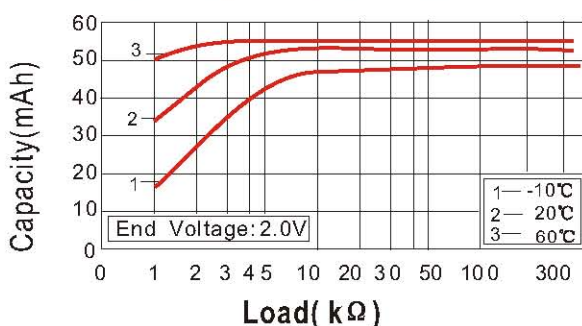
### Discharge characteristics



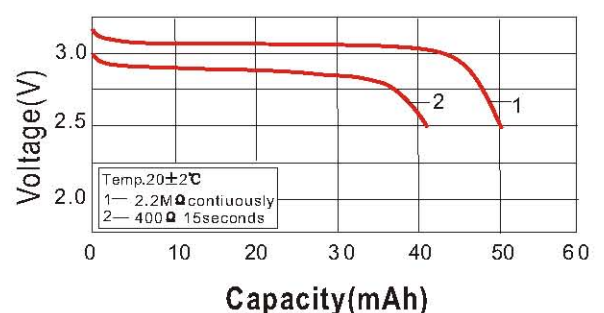
### Temperature Characteristics



### Load-capacity characteristic



### Pulse Discharge Characteristic



#### Notice:

Environmental elements comply with RoHS requirements. This information is subject to change without prior notice and for reference only. It should not be used as a basis for a product guarantee or warranty. For additional information, please consult your nearest Camelion Sales Office or Distributor or visit our website at: [www.camelionbattery.com](http://www.camelionbattery.com).