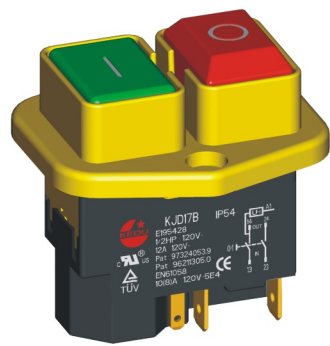
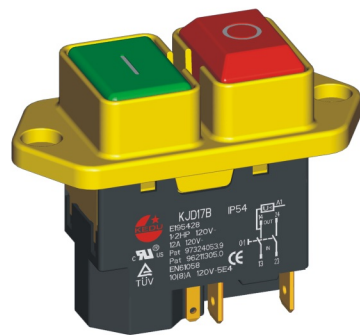


KJD17B

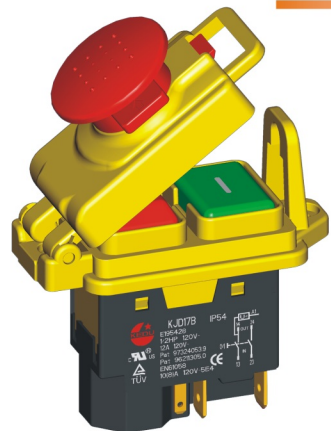
ELECTROMAGNETIC SWITCH 电磁开关



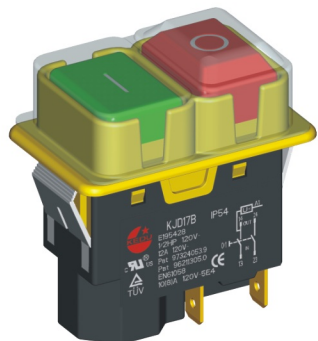
B



C



GF



BD

Applications:

Integrated switch with restart and under voltage protection. In case of voltage drop, switch contacts open. The advantage of our patented technology is high current in small size.

Specifications:

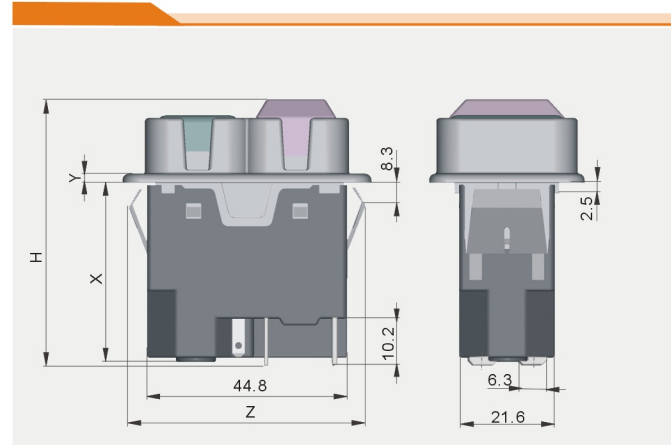
TUV(EN60947)
 Rated Voltage: 250V~
 Rated Current: AC-1:18A AC-3:15A
 Uc: 220-240V~/100-120V~
 TUV(EN61058)
 Rated Voltage: 250V~ 120V~
 Rated Current: 16(12)A 18(16)A
 Rated Frequency: 50/60Hz
 Number of Operating Cycles: 5E4
 Degree of Protection: IP55
 UL, cUL (UL508, E195428)
 Rated Voltage: 120V~ 220-240V~
 Rated Current: 16A 1/2HP 16A 2HP
 VDE,CE(DIN EN61058,VDE0630)
 Rated Voltage: 250V~
 Rated Current: 10(8)A
 Number of Operating Cycles: 5E4

应用:

该开关具有停电和欠电压保护功能。一旦断电或欠电压,开关自动断开,再来电时,须重新按开关。该专利技术体形小,电流大。

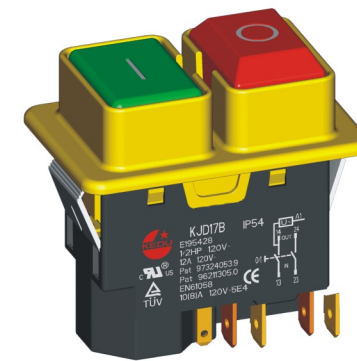
参数:

TUV(EN60947)
 额定电压: 250V~
 额定电流: AC-1:18A AC-3:15A
 线圈电压: 220-240V~/100-120V~
 TUV(EN61058)
 额定电压: 250V~ 120V~
 额定电流: 16(12)A 18(16)A
 额定频率: 50/60Hz
 操作循环次数: 5E4
 防护等级: IP55
 UL, cUL (UL508, E195428)
 额定电压: 120V~ 220-240V~
 额定电流: 16A 1/2HP 16A 2HP
 VDE,CE(DIN EN61058,VDE0630)
 额定电压: 250V~
 额定电流: 10(8)A
 操作循环次数: 5E4

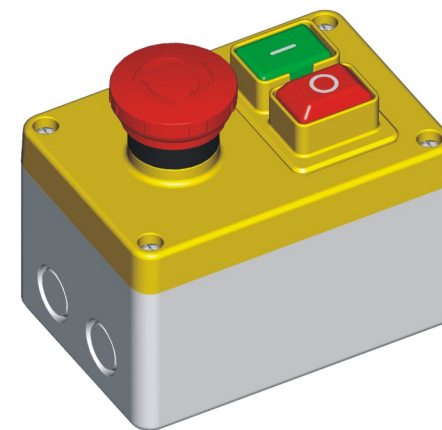


KJD17B

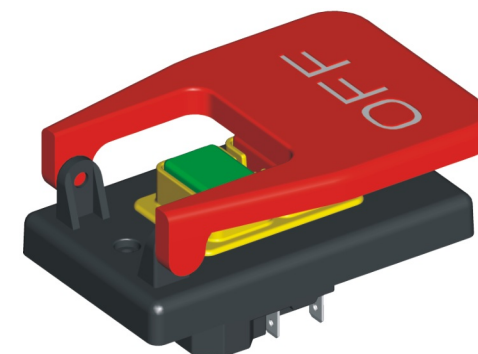
ELECTROMAGNETIC SWITCH 电磁开关



BC

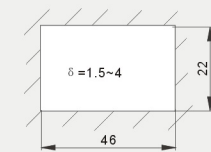


D-2

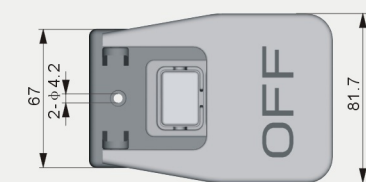
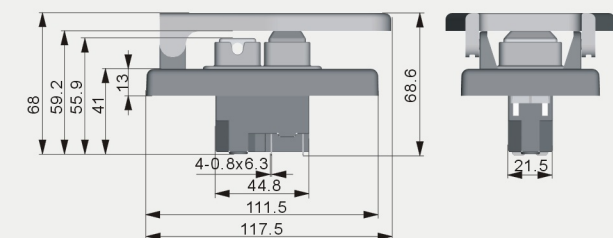
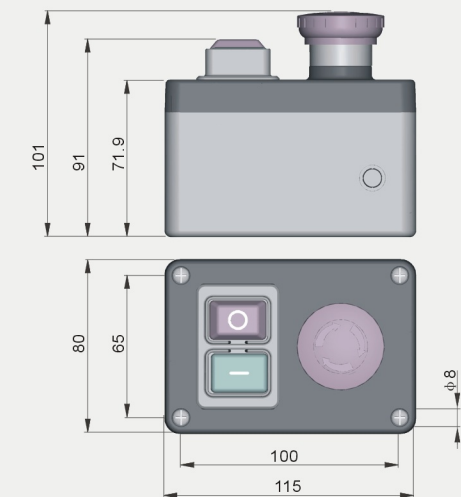


BD-3

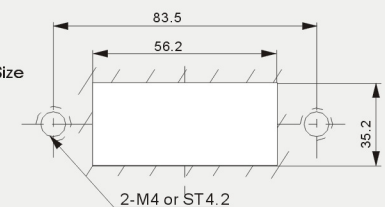
Snap-in Mounting Size
 压扣式安装孔尺寸



	B	C	GF	BD	BC
X	37.4	37.4	41.8	40.7	40
Y	5	5	5	2.4	2.4
H	73.4	60.4	77.4	50.9	60.4
Z				52	52.8



Snap-in Mounting Size
 压扣式安装孔尺寸



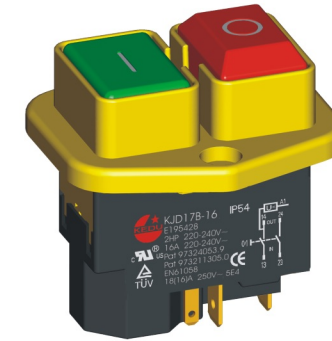
Available Switch Options 货号编制:

Type: 型号: KJD17B

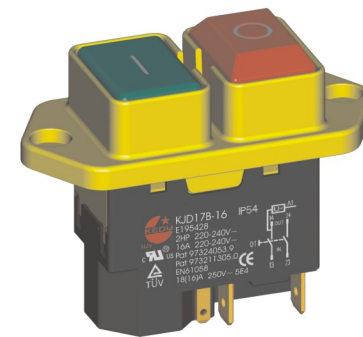
Art. No.: 货号: 11172 +

Panel 面板	Function 功能	Voltage/Frequency 电压/频率	Marking on Button 按钮标识	Accessories 附件
01 B 	1 With Remote Trip 2NO 带小插片2NO	1 120V~/50Hz	1	01 None 无附件
02 BD 	2 Without Remote Trip 2NO 不带小插片2NO	2 120V~/60Hz	2	02 With Waterproof Cover 带防水罩(C)
03 BC 	3 With Remote Trip NO+NC 带小插片NO+NC	3 230V~/50Hz	3	03 With Emergency Stop And Waterproof Cover 带急停和防水
04 C 		4 230V~/60Hz	4	04 With Rubber Gasket and Waterproof cover 带橡胶套和防水
05 GF 		5 240V~/50Hz	5	05 With Rubber Gasket 带橡胶套
06 D-2 		6 240V~/60Hz	6	06 With Emergency Stop Of Mounting Boxes 安装盒带急停
07 			7	

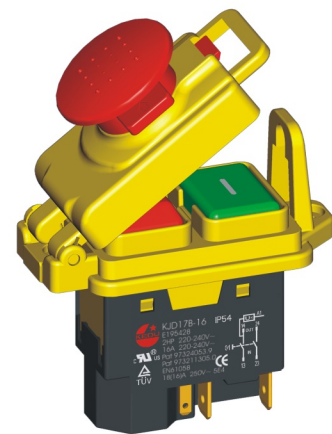
For Only high current



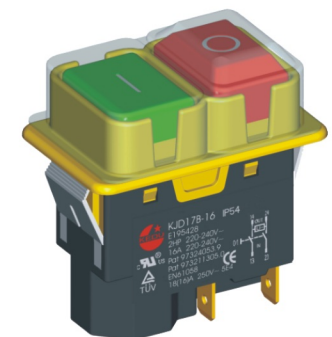
B-16



C-16



GF-16



BD-16

Applications:

Integrated switch with restart and under voltage protection. In case of voltage drop, switch contacts open. The advantage of our patented technology is high current in small size.

Specifications:

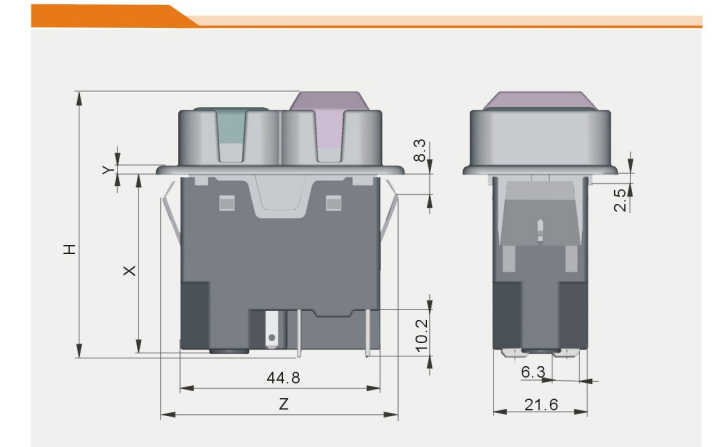
TUV(EN61058)
 Rated Voltage: 250V~
 Rated Current: 18 (16) A
 Uc: 220-240V~
 Rated Frequency: 50/60Hz
 Number of Operating Cycles: 5E4
 Degree of Protection: IP55
 UL, cUL (UL508, E195428)
 Rated Voltage: 220-240V~
 Rated Current: 16A 2HP

应用:

该开关具有停电和欠电压保护功能。一旦断电或欠电压, 开关自动断开, 再来电时, 须重新按开关。该专利技术体形小, 电流大。

参数:

TUV(EN61058)
 电压: 250V~
 电流: 18 (16) A
 线圈电压: 220-240V~
 额定频率: 50/60Hz
 操作循环次数: 5E4
 防护等级: IP55
 UL, cUL (UL508, E195428)
 额定电压: 220-240V~
 额定电流: 16A 2HP



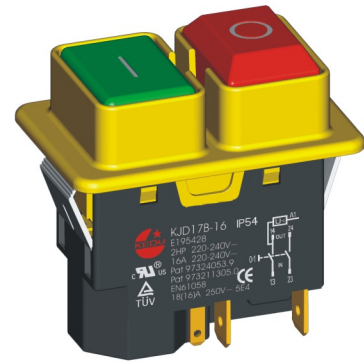
KJD17B-16

ELECTROMAGNETIC SWITCH 电磁开关



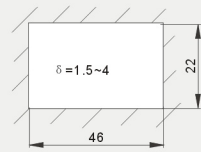
KJD17B-16

ELECTROMAGNETIC SWITCH 电磁开关

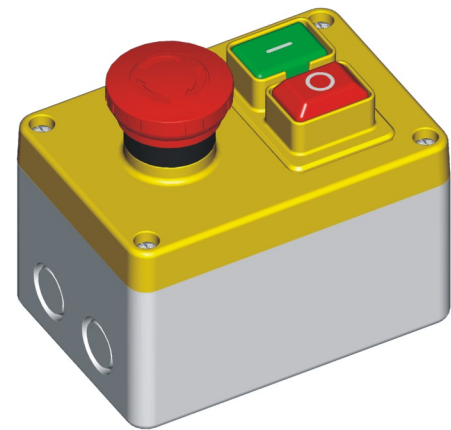


BC-16

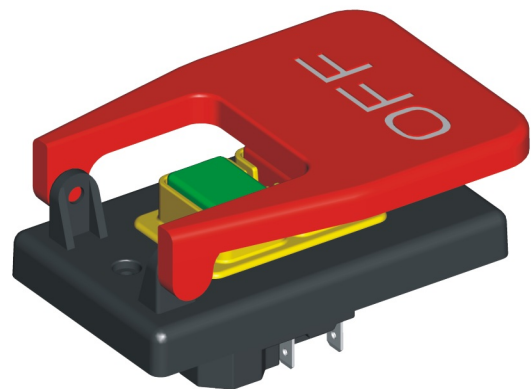
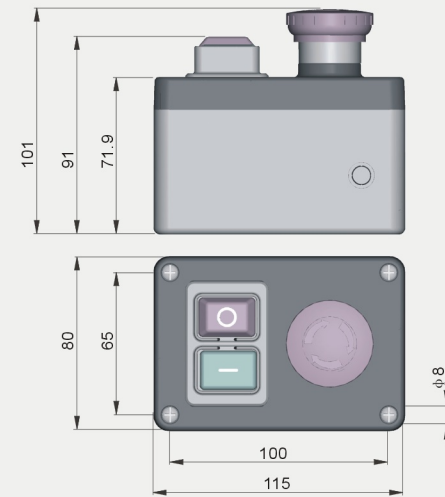
Snap-in Mounting Size
压扣式安装孔尺寸



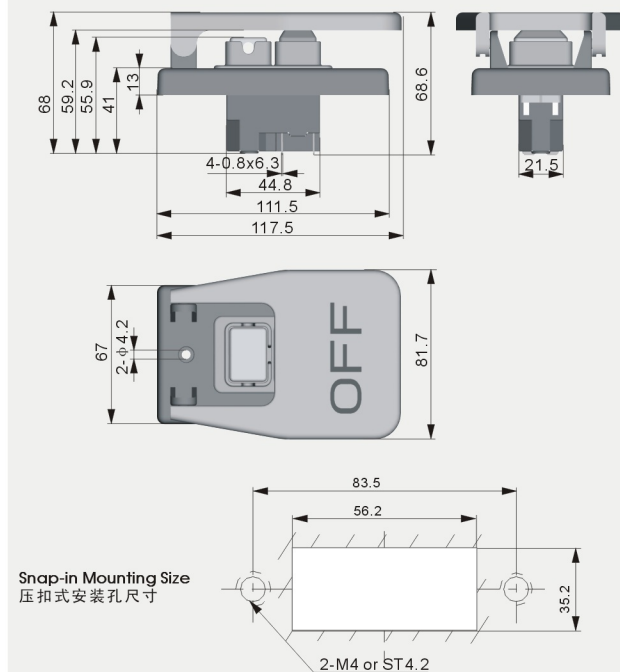
	B	C	GF	BD	BC
X	37.4	37.4	41.8	40.7	40
Y	5	5	5	2.4	2.4
H	73.4	60.4	77.4	50.9	60.4
Z				52	52.8



D-16-2



BD-16-3



Snap-in Mounting Size
压扣式安装孔尺寸

Available Switch Options 货号编制:

Type: 型号: KJD17B-16

Art. No.: 货号: 11174+ □ □ □ □ □ □ □ □

Panel 面板	Function 功能	Voltage/Frequency 电压/频率	Marking on Button 按钮标识	Accessories 附件
□ □	□	□	□	□ □
01 B	1 With Remote Trip 2NO 带小插片 2NO	1 120V~/50Hz	1	01 None 无附件
02 BD	2 Without Remote Trip 2NO 不带小插片 2NO	2 120V~/60Hz	2	02 With Waterproof Cover 带防水罩(C)
03 BC	3 With Remote Trip NO+NC 带小插片 NO+NC	3 230V~/50Hz	3	03 With Emergency Stop And Waterproof Cover 带急停和防水
04 C		4 230V~/60Hz	4	04 With Rubber Gasket 1 and Waterproof Cover 带橡胶套1和防水
05 GF		5 240V~/50Hz	5	05 With Rubber Gasket 带橡胶套
06 D-2		6 240V~/60Hz	6	06 With Emergency Stop Of Mounting Boxes 安装盒带急停
07			7	