

INSTRUCTIONS

SINGLE-PHASE DC ENERGY METER

I. Technical specification

Rated Voltage:	12V,24V
Rated Current:	5(60)A
Impulse Constant:	32000imp/kWh
Accuracy:	1.0
Display:	LCD 5+2
Working Temperature:	-20—55℃
Storage Temperature:	-25—70℃
Average Humidity:	≤75%
Start Current:	0.4 %Ib

II. Function and application

This meter is applied to solar energy or any other energy that has direct current. It can measure and display alternative following parameters.

Display time interval:5s

It also can check different pages through button in manually, so that user can check quickly which he want to see.

After 10s pause of button press, it will return automatic display with interval time 5s

Display sequence

All segments on



Total kWh

Forward total kWh



UP ▼

▲ Down

UP ▼

▲ Down

Reverse total kWh

Instantaneous current



UP ∇ \blacktriangle Down

Instantaneous voltage



UP ∇ \blacktriangle Down

Instantaneous power



UP ∇ \blacktriangle Down



UP ∇ \blacktriangle Down

III. Outer dimension (see Fig.13)

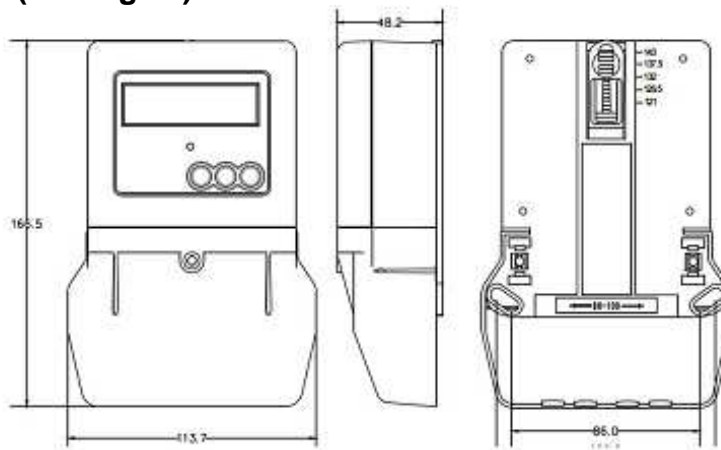


Fig.13

IV. Wiring Diagram (see Fig.14)

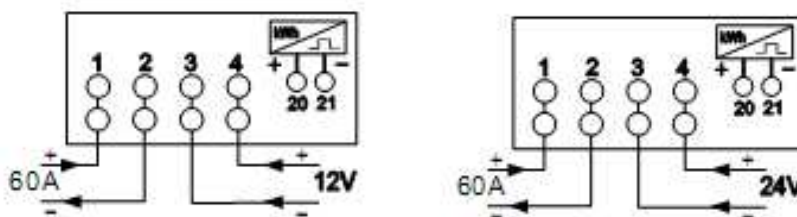


Fig.14

V. Working principle diagram

