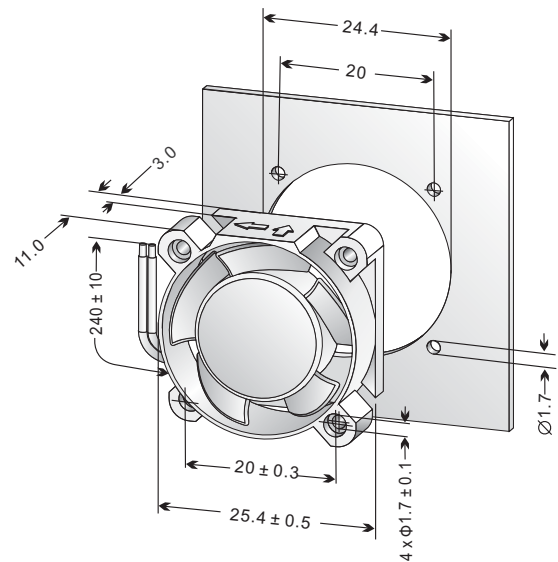
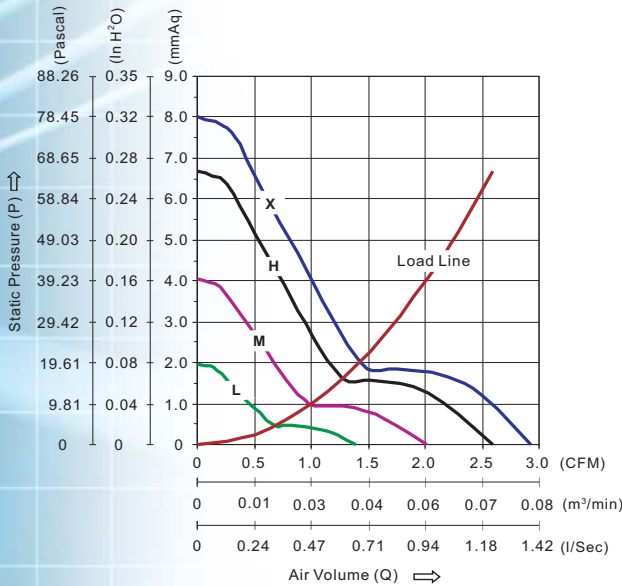


Frame: Thermoplastic, PBT (30%), UL94-V0
 Impeller: Thermoplastic PBT (GF 15%), UL94-V0
 Bearing System: Ball Bearing or Sleeve Bearing.
 Lead Wire: UL 1061, AWG 30/240mm, Red(+), Black(-)
 Protection: Locked rotor protected for minimum 72 hours

Available Functions

1a. IR	1b. AS	1c. MS	2a. FG	2b. RD	2c. RD _b	2d. LD	3. SG/PWM
	●		●				
4. OV	5a. TPWM	5b. RPWM	6. CL	7. CS	8a. VPWM	8b. IPWM	8c. PPWM

Part Number	Voltage (VDC)	Current (Amp.)	Power (Watts)	Speed (RPM)	Air Flow (Q) (CFM) (m³/min)	Pressure (P) (mmAq) (In H ₂ O)	Noise (dBA)	Unit Weight (Q'TY/CTN)
C2510X05BPLBx-5	05 (04~06)	0.216	1.08	15000	2.92	0.083	8.00	34.19
C2510H05BPLBx-5		0.175	0.87	13000	2.60	0.074	6.67	30.54
C2510M05BPLBx-5		0.125	0.62	10000	2.02	0.057	4.05	24.21
C2510L05BPLBx-5		0.089	0.45	7000	1.39	0.039	1.98	18.14
C2510X12BPLBx-5	12 (07~14)	0.100	1.20	15000	2.92	0.083	8.00	34.19
C2510H12BPLBx-5		0.075	0.90	13000	2.60	0.074	6.67	30.54
C2510M12BPLBx-5		0.056	0.67	10000	2.02	0.057	4.05	24.21
C2510L12BPLBx-5		0.033	0.39	7000	1.39	0.039	1.98	18.14



* All **PELKO** fans listed here refer to double ball bearing types; Sleeve bearing types may consume about 10% more power for the same speed.
 * Noise Measurements are taken with background noise of 16.8 dBA.
 * Please see "Functions Legend" for explanation of each function.
 * Specifications are subject to change without notice.