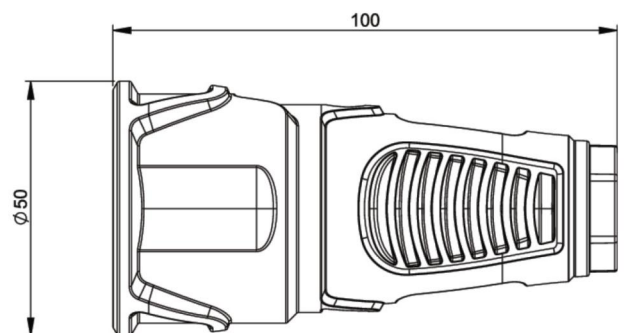


## PCE data sheet

article#	<b>2510-os</b>
article description	<b>Taurus2 rubber safety connector nat IP20 (orange/black)</b>
description long	Safety connector series Taurus2 - rubber color (housing/ring): orange/black material (housing/contact carrier): TPE/PA6 earthing system: Austrian/German 16A / 250V AC / 3p (2P+E), protection rating: IP20
GTIN (EAN)	9003399467257
country of origin	AT
customs number	85366990
packaging quantity	20
minimum order quantity	500

ETIM 7.0	EC001327
Model	Protective contact (SCHUKO)
Material	Rubber
Material quality	Thermoplastic
For heavy conditions (in accordance with VDE)	True
Degree of protection (IP)	IP20
Angle of plug	Straight
Connection system	Screwed terminal
Colour	Orange
Number of poles	3
Nominal voltage	250 V
Nominal current	16 A

K (cable Ø)	6-13 mm
wire flexible	1-2,5 mm <sup>2</sup>
contact screws	80 Ncm
strain relief	110 Ncm
dismantling length	30 mm
stripping length	7 mm



[www.manufacturer-safety.info](http://www.manufacturer-safety.info)