



Series ENYA

Retrigger, time extension function programmable

Energy saving function

Impulse switch mode selectable

Low switching noise

High switching capacity, 80A peak inrush current

Automatic 3/4 - wire detection

Push-button glow lamp load up to 100mA

Width 17.5 mm

Installation design



## Technical data

### 1. Functions

Electronic staircase lighting timer.

The control input allows the connection of pushbuttons with a total glow lamp load up to 100mA and enables the application in 3- or 4-wire circuits. The unit can be retriggered via the connected pushbuttons.

A long keypress will switch off the light (energy saving function).

A fast sequence of pushes (pumping) will extend the period to a multiple of the selected value. The following operating methods can be selected:

- ⊕ T Automatic timer without switch-off warning
- ☀ 1 Steady light (ON)
- 0 Switch-off
- ⌋ P Impulse switch mode without time function

### 2. Time range

	Adjustment range
Time	0,5 - 12min (in function T)

### 3. Indicators

Green LED U ON:	indication of supply voltage
Yellow LED ON/OFF:	indication of relay output

### 4. Mechanical design

Self-extinguishing plastic housing, IP rating IP 40

Mounted on DIN-rail TS 35 according to EN 60715

Mounting position: any

Shockproof terminal connection according to VBG 4 (PZ1 required),

IP rating IP20

Tightening torque: max. 1Nm

Terminal capacity:

- 1 x 0.5 to 2.5mm<sup>2</sup> with/without multicore cable end
- 1 x 4mm<sup>2</sup> without multicore cable end
- 2 x 0.5 to 1.5mm<sup>2</sup> with/without multicore cable end
- 2 x 2.5mm<sup>2</sup> flexible without multicore cable end

### 5. Input circuit

Supply voltage:	230V a.c. terminals L - N
Tolerance:	-15% to +10%
Rated consumption:	2VA (1,0W)
Rated frequency:	a.c. 48 to 63Hz
Duty cycle:	100%
Reset time:	500ms
Hold-up time:	-
Residual ripple for d.c.:	-
Drop out voltage:	>30%
Overvoltage category:	III (in accordance with IEC 60664-1)
Rated surge voltage:	4kV

### 6. Output

1 normally open contact:	terminals L - 18
Rated voltage:	250V a.c.
Switching capacity:	10A continuous current
If the distance between the devices is less than 5mm.	

Switching capacity:	16A continuous current
If the distance between the devices is greater than 5mm.	

Start-up peak (20ms):	80A
Mechanical life:	30 x 10 <sup>6</sup> operations
Electrical life	
Resistive load:	10 <sup>5</sup> operations at 16A 250V
Lamp load:	80.000 operations at 1000W 250V

### 7. Control input B1

Connection not potential free:	pushbutton B1-N (3-conductor circuit) pushbutton B1-L (4-conductor circuit)
Glow lamp load:	max. 100mA parallel to the pushbuttons
Overload protection:	yes, electronic

### 8. Accuracy

Base accuracy:	±5% of maximum scale value
Adjustment accuracy:	<15% of maximum scale value
Repetition accuracy:	<2%
Voltage influence:	-
Temperature influence:	≤1%

### 9. Ambient conditions

Ambient temperature:	-25 to +55°C
Storage temperature:	-25 to +70°C
Transport temperature:	-25 to +70°C
Relative humidity:	15% to 85% (in accordance with IEC 60721-3-3 class 3K3)
Pollution degree:	2 (in accordance with IEC 60664-1)

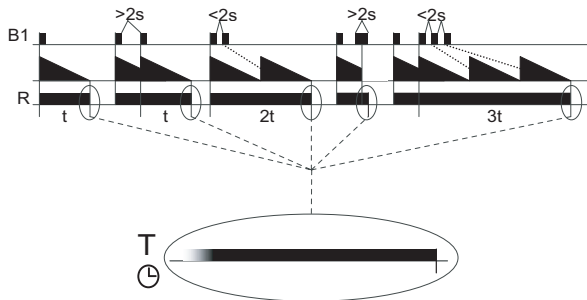
### 10. Weight

Single packing:	70g
-----------------	-----

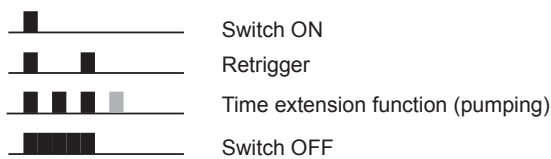
## Functions

### Function automatic timer (T):

After the pushbutton at B1 has been pressed, the output relay R closes (terminals L-18) and the set interval  $t$  begins. If the pushbutton is pressed again before the interval  $t$  has expired, the interval begins again (restart function complies with EN 60669-2-3). Rapid, multiple pressing of the pushbutton (pumping) adds 2, 3 or more time intervals to extend the time up to 60min. Prolonged pressure on the button ( $>2s$ ) aborts the interval running and switches the relay off (energy saving function).



### Operating possibilities at B1 in mode T:



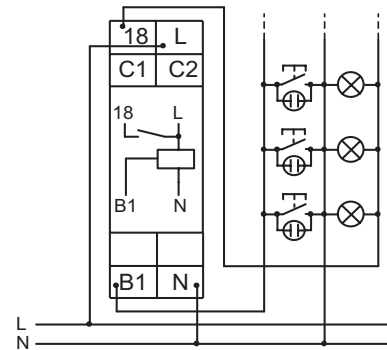
### Impulse switch mode (P):

In this mode, every keypress toggles the output relay R (flip-flop). In function P, the output relay R remains in off-position, whenever the supply voltage is applied.

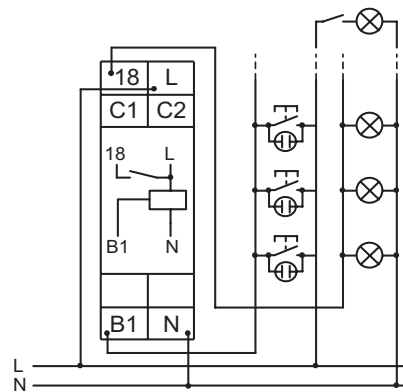


## Connections

### 3-wire-circuit



### 4-wire-circuit with attic illumination



## Dimensions

