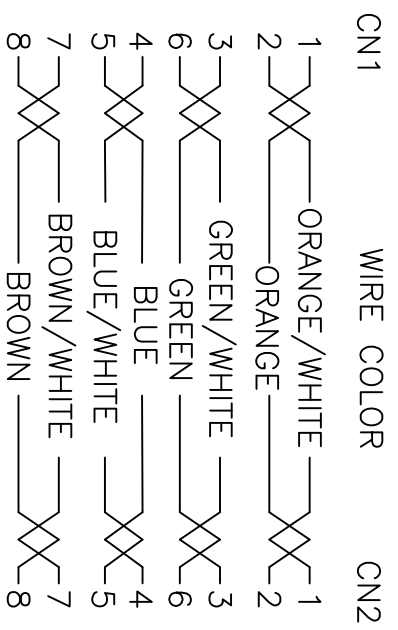


MATERIAL LIST:

NO.	PARTS NAME	SPECIFICATION DESCRIPTION
①	CABLE	UTP (26AWG *1PR)*4+PVC OD:4.6±0.2mm COLOR:ASSORTED UPON REQUEST
②	RJ45 CONNECTOR	RJ45.8P8C.TWO FORK GOLD PLATED CONTACTS
③	MOULDING PVC	MOULDING PVC 45P COLOR:ASSORTED UPON REQUEST

PIN OUT



ELECTRONIC TEST:
A.OPEN/SHORT/INTERMITTENCE: 100%.

REMARK NO	CHA.NO	SIGNATURE	DATE

DRAWN BY	Checked	APPROVED BY	DATE
Rezhi			2015.10.17

SIGN	W/T	SCALE

ITEM NO. (SECTION SHEET)

KUNSHAN BYB WIRE & CABLE CO.,LTD

UTP CAT 5E 26AWG

PAGE OF