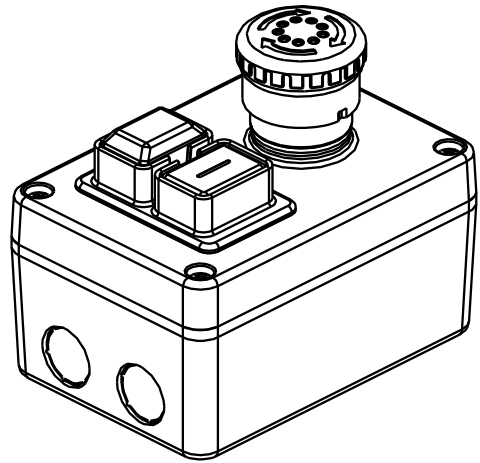
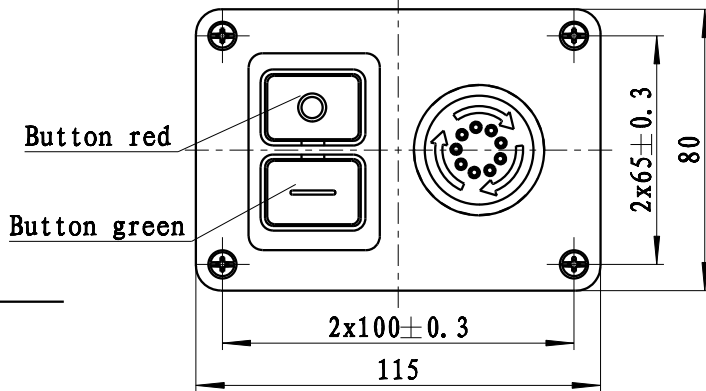
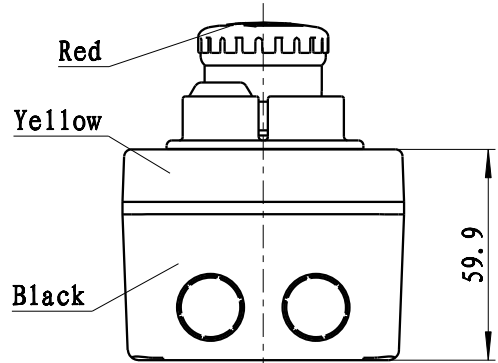
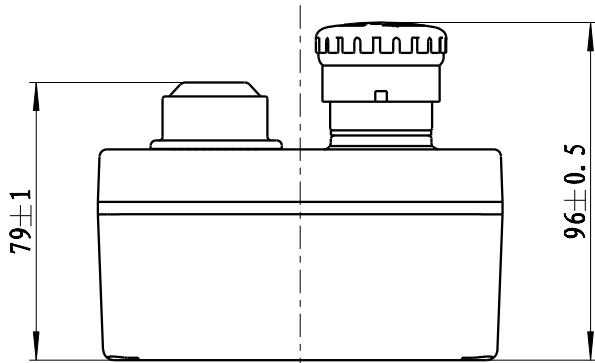


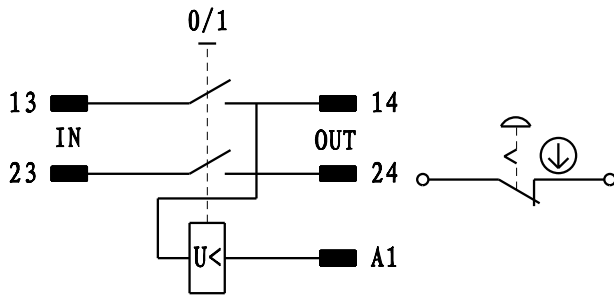
L00080/L110

Rejigger Index

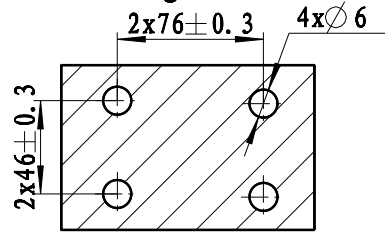
REV.	Mark	Qty	Verified	Content	Description	Verified /Date	Rejigger /Date



Circuit diagram



Mounting dimension



Technical Requirement

1. KEDU Product model: KJD17D-2;
2. Uc: 220-240V ~;
3. Directive/Regulation: RoHS.

Tolerance Not Marked

Basic Dimension	>0 ~ 6	>6 ~ 30	>30 ~ 120	>120 ~ 300
Tolerance	± 0.1	± 0.3	± 0.5	± 1

ASSEMBLE OUTLINE

KEDU ELECTRIC

011708002

Electromagnetic Switch

Common use register

Drawing

Collation

Old Bottom Drawing No.

Bottom Drawing No.

Signature

Designed by	李楠	20201209	Standardization	王思琦	20201209
Collated by	廖军	20201209	Examined by	陈东	20201209
Checked by	倪杰	20201209	Drawn by	李楠	20201209
Technics			Approved by	李子平	20201209

Phase Mark

REV.

Scale

S

A

1:2

Date

Current Page

Total Page

0117080007