

Frame: Thermoplastic, PBT (30%), UL94-V0
 Impeller: Thermoplastic PBT (GF 15%), UL94-V0
 Bearing System: Ball Bearing or Sleeve Bearing.
 Lead Wire: UL 1007, AWG 26/280mm, Red(+), Black(-)
 Protection: Locked rotor protected for minimum 72 hours

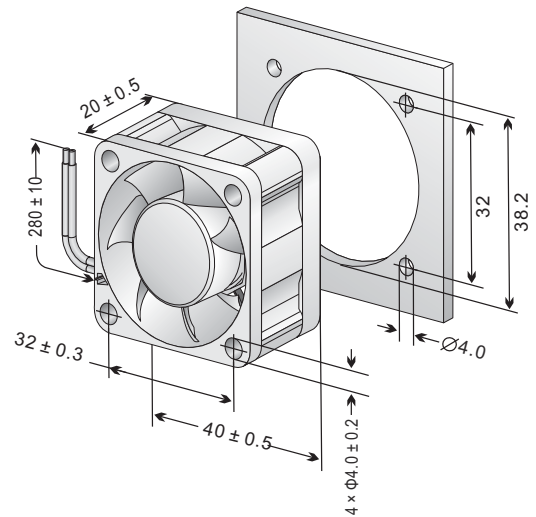
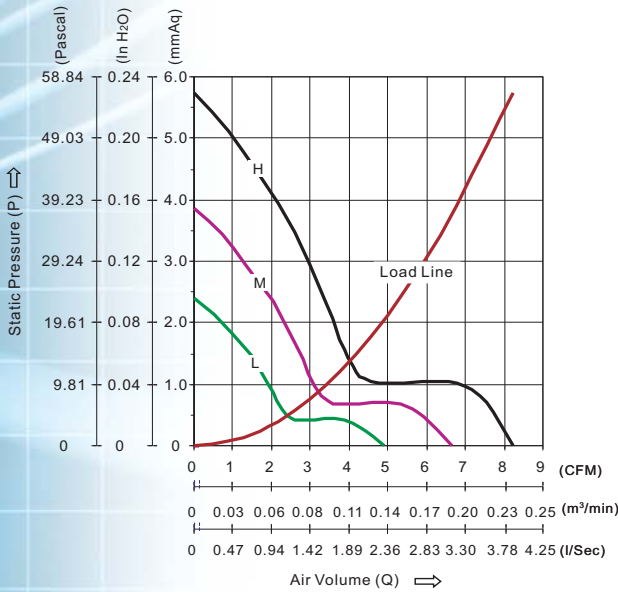


Available Functions

1a. IR	1b. AS	1c. MS	2a. FG	2b. RD	2c. RDb	2d. LD	3. SG/PWM
	●		●	●			
4. OV	5a. TPWM	5b. RPWM	6. CL	7. CS	8a. VPWM	8b. IPWM	8c. PPWM

High Efficiency

Part Number	Voltage (VDC)	Current (Amp.)	Power (Watts)	Speed (RPM)	Air Flow (Q) (CFM) (m ³ /min)	Pressure (P) (mmAq) (In H ₂ O)	Noise (dBA)	Unit Weight (Q'TY/CTN)
D4020H24BPLBx-7	24 (15~27)	0.045	1.08	7000	8.21 0.233	5.74 0.226	32.38	31.6g (600pcs)
D4020M24BPLBx-7		0.040	0.96	5500	6.64 0.188	3.87 0.152	27.14	
D4020L24BPLBx-7		0.014	0.34	4000	4.92 0.139	2.40 0.094	20.78	



* All **PELKO** fans listed here refer to double ball bearing types; Sleeve bearing types may consume about 10% more power for the same speed.
 * Noise Measurements are taken with background noise of 16.8 dBA.
 * Please see "Functions Legend" for explanation of each function.
 * Specifications are subject to change without notice.