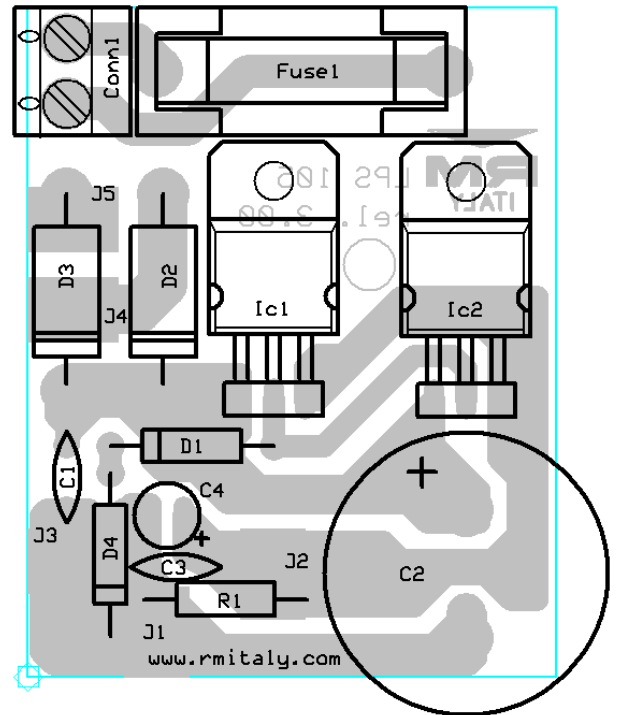
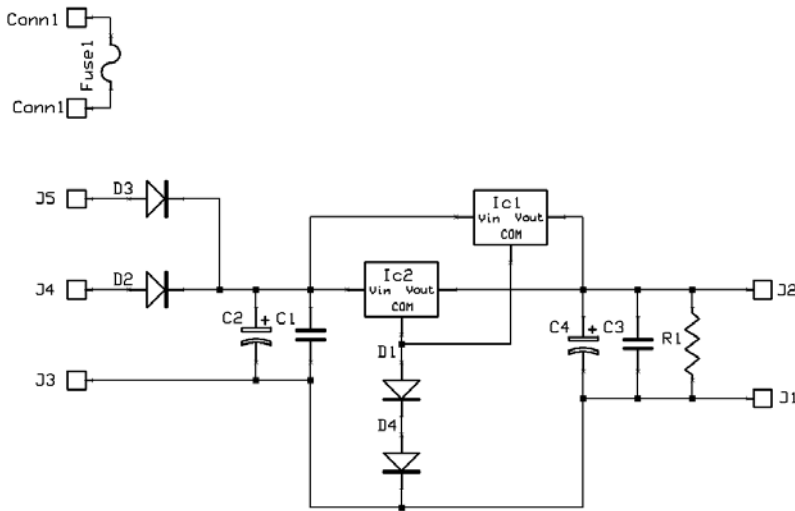


Mod. 105 power supply

Schematic diagram

Version 3.00



- C₁ = 100 nF 50 V
- C₂ = 4700 µF 25 V
- C₃ = 100 nF 50 V
- C₄ = 22 µF 25 V
- R₁ = 2,2 KΩ ¼W
- D₁ = 1N4004
- D₂ = 1N5400
- D₃ = 1N5400
- D₄ = 1N4004
- Ic₁ = Ic₂ = LM 7812
- Fuse₁ = 1 A