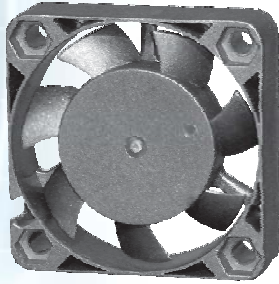


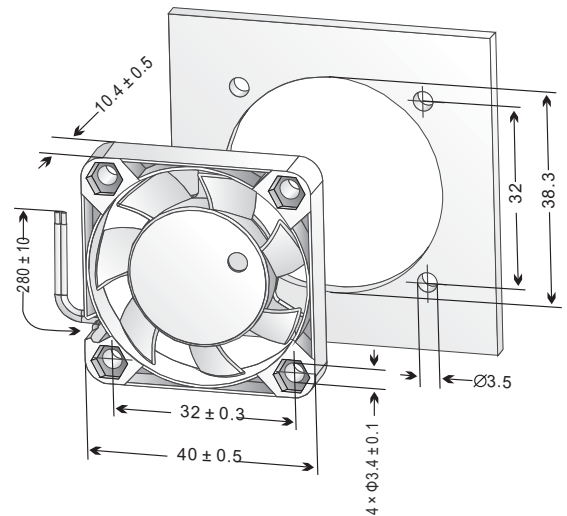
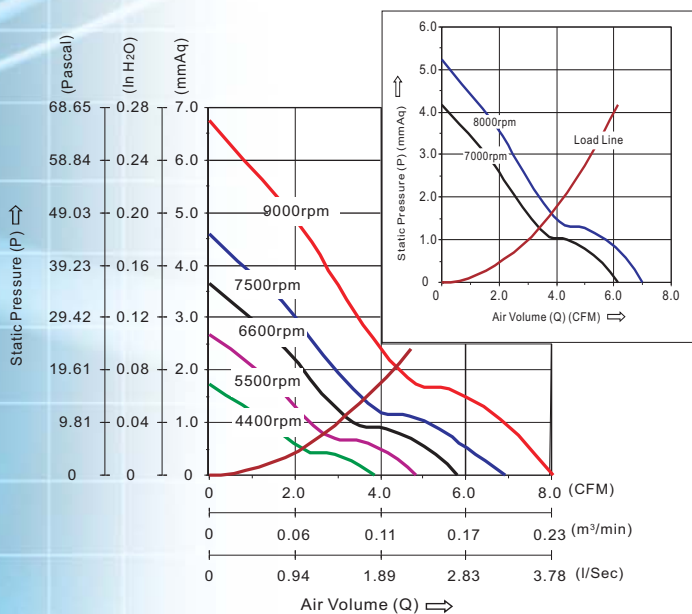
Frame: Thermoplastic, PBT (30%), UL94-V0
 Impeller: Thermoplastic PBT (GF 15%), UL94-V0
 Bearing System: Ball Bearing or Sleeve Bearing.
 Lead Wire: UL 1007, AWG 26/280mm, Red(+), Black(-)
 Protection: Locked rotor protected for minimum 72 hours



Available Functions

1a. IR	1b. AS	1c. MS	2a. FG	2b. RD	2c. RDb	2d. LD	3. SG/PWM
	●		●	●			
4. OV	5a. TPWM	5b. RPWM	6. CL	7. CS	8a. VPWM	8b. IPWM	8c. PPWM

Part Number	Voltage (VDC)	Current (Amp.)	Power (Watts)	Speed (RPM)	Air Flow (Q) (CFM) (m³/min)	Pressure (P) (mmAq) (In H ₂ O)	Noise (dBA)	Unit Weight (Q'TY/CTN)	
C4010Y05BPLBx-7	05 (04~06)	0.252	1.26	9000	8.03	0.227	6.75	0.266	16.8g (800pcs)
C4010X05BPLBx-7		0.166	0.83	7500	6.91	0.196	4.60	0.181	
C4010H05BPLBx-7		0.130	0.65	6600	5.80	0.164	3.66	0.144	
C4010M05BPLBx-7		0.084	0.42	5500	4.82	0.136	2.69	0.106	
C4010L05BPLBx-7		0.070	0.35	4400	3.87	0.110	1.73	0.068	
C4010Y12BPLBx-7	12 (07~14)	0.119	1.42	9000	8.03	0.227	6.75	0.266	16.8g (800pcs)
C4010X12BPLBx-7		0.078	0.94	7500	6.91	0.196	4.60	0.181	
C4010H12BPLBx-7		0.064	0.76	6600	5.80	0.164	3.66	0.144	
C4010M12BPLBx-7		0.044	0.53	5500	4.82	0.136	2.69	0.106	
C4010L12BPLBx-7		0.036	0.43	4400	3.87	0.110	1.73	0.068	
C4010H24BPLBx-7	24 (15~27)	0.060	1.43	9000	8.03	0.227	6.75	0.266	16.8g (800pcs)
C4010M24BPLBx-7		0.056	1.34	8000	6.95	0.197	5.29	0.208	
C4010L24BPLBx-7		0.039	0.95	7000	6.13	0.174	4.22	0.166	



* All **PELKO** fans listed here refer to double ball bearing types; Sleeve bearing types may consume about 10% more power for the same speed.
 * Noise Measurements are taken with background noise of 16.8 dBA.
 * Please see "Functions Legend" for explanation of each function.
 * Specifications are subject to change without notice.