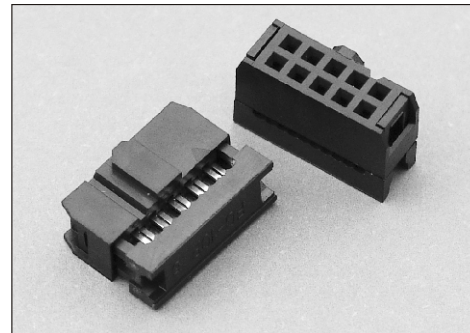


141

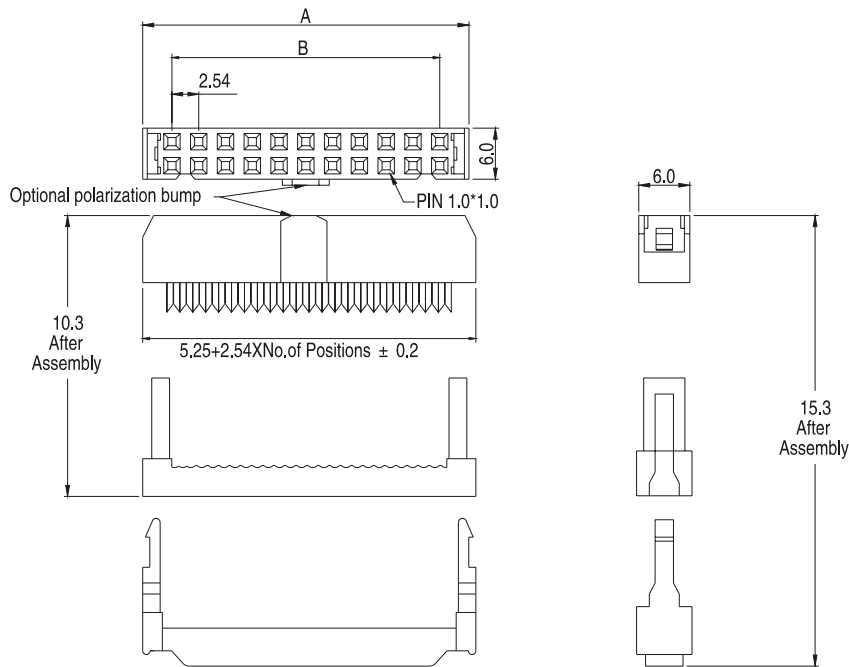
IDC Socket Connector DIN 41651 Pitch 2.54mm

Technical Data :

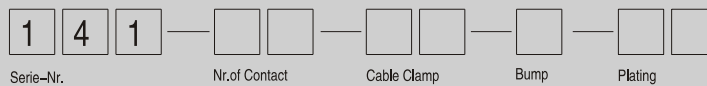
Insulator Material:	Thermoplastic,UL 94V-0
Contact :	stamped and formed,Phosphor Bronze
Plating:	Au or Sn over Nickel
Wire size:	28AWG
Current Rating :	3 Amp
Contact resistance:	20 milliohms Max.
Insulator resistance :	1000 Megohms min.
Dielectric withstanding :	AC 500V for 1 Minute.
Operating Temperature:	-40 °C to +105 °C .
Mates with :	Pitch2.54mm □0.635mm male headle



RoHS Compliant



How to order



Nr. of contact	Dimensions(mm)		Code	Nr. of contact	Dimensions(mm)		Code
	A	B			A	B	
06	12.16	5.08	06	30	42.66	35.56	30
08	14.74	7.62	08	34	47.80	40.64	34
10	17.20	10.16	10	40	50.42	48.26	40
12	19.80	12.70	12	44	60.56	53.34	44
14	22.50	15.24	14	50	68.28	60.96	50
16	24.94	17.78	16	56	75.74	68.58	56
20	30.08	22.86	20	60	80.96	73.66	60
24	35.16	27.94	24	62	83.32	76.20	62
26	37.58	30.48	26	64	85.94	78.74	64

Cable clamp option	Code
Without cable clamp	00
With cable clamp	10

Plating Option	Code
Selective gold plated	60

Central Bump	Code
W/ Bump	1
W/O Bump	2

W.E.