

SAFEWELL RACK-PROFESSIONAL RACK

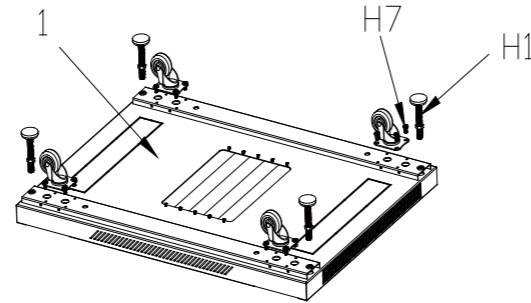


***SNB Series Standing Network Rack
Assembly Instruction***

Step 4:

Install the castors to the four corners at bottom by M6*12 self-tapping screws.
Install the M12*L90 Leveling Legs also to each corner.

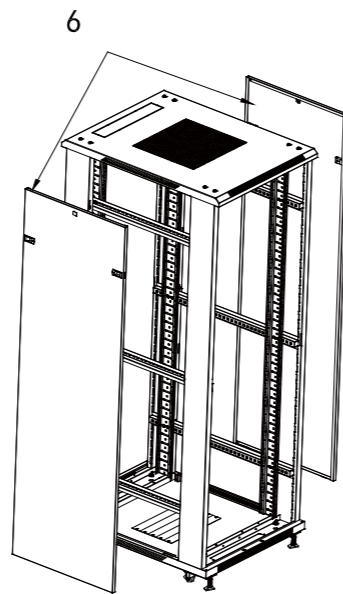
Refer the left upward view picture.



Step 5:

Install side panels, adjust the diagonal dimension of cabinets.
Remark: because the cabinets is disassembled design, after assemble, please check and adjust the diagonal dimension, ensure the space between doors are acceptable, doors could open and close well.

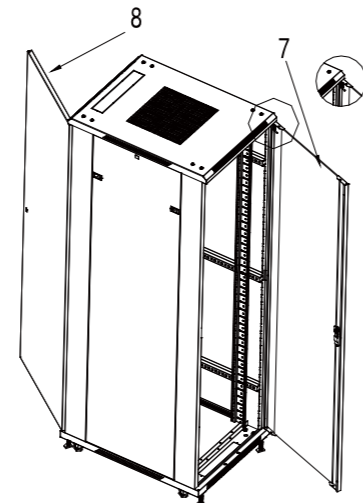
Refer the left picture.



Step 6:

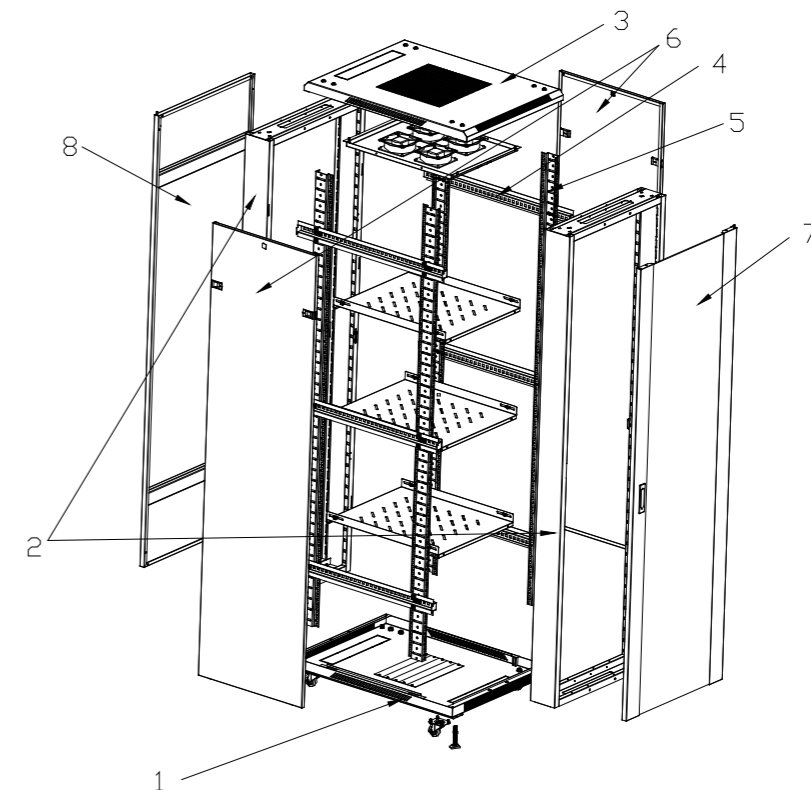
Install front door, rear door.
Put the door block to the hole of the bottom of frame, and set the front door/rear door. Fix the top of front/rear door by bolts and top of frame.

Refer the left picture.

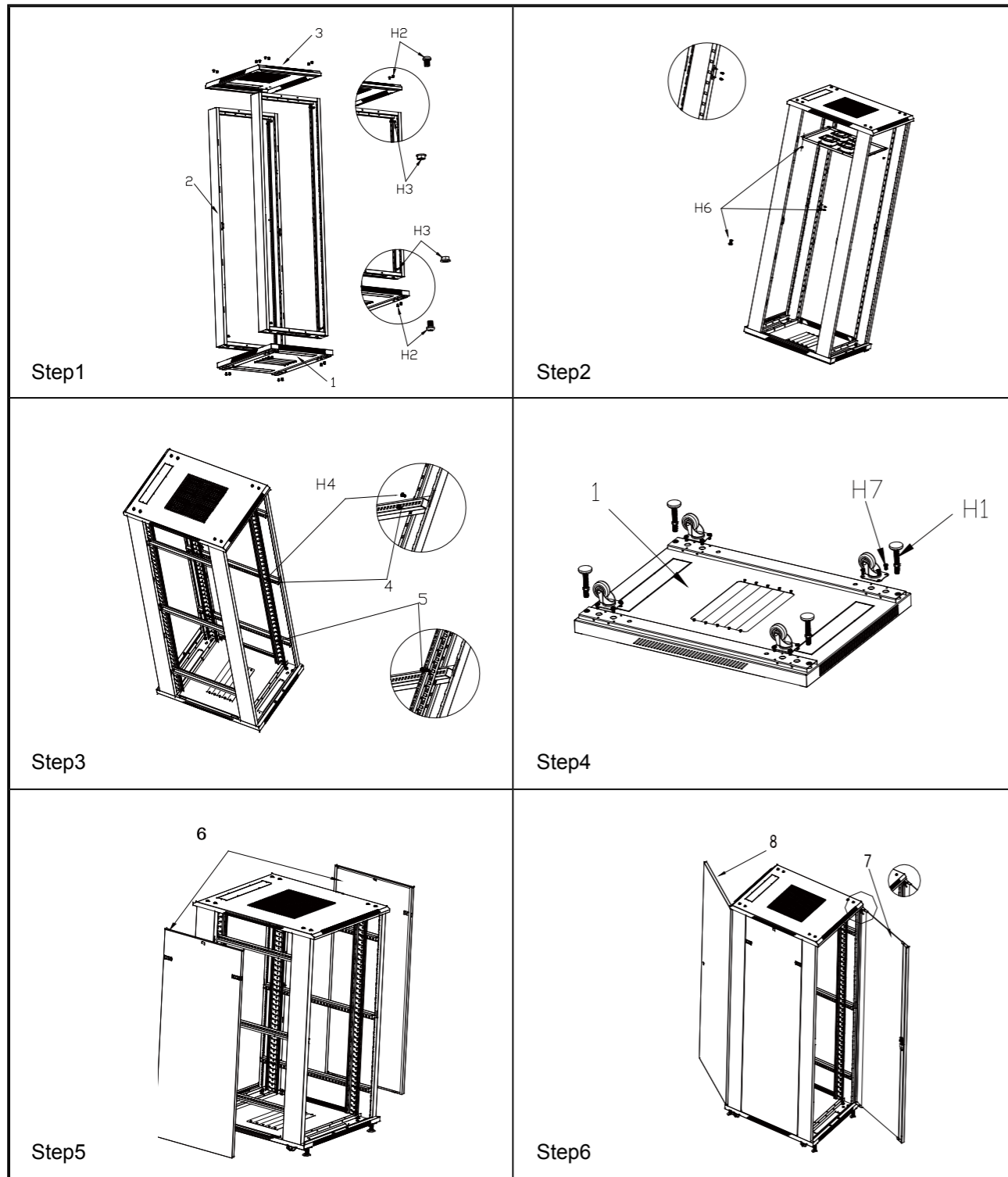


Component List

REV	QTY	COMPONENT	REV	QTY	SCREWS AND NUTS
1	1	BOTTOM TRAY	H1	4	M12*L90 Leveling Leg
2	2	FRAME	H2	16	M8*12 Round Head Inner Hex Scew
3	1	TOP TRAY	H3	16	M8 Flange Nut
4	4	HORIZONTAL SUPPORT	H4	44	M6*12 Screw
5	4	VERTICAL SUPPORT	H5	44	M6 Cage Nut
6	2	SIDE PANEL	H6	18	M4*8 Self-tapping Screw
7	1	REAR DOOR	H7	16	M6*12 Tapping Screw
8	1	FRONT DOOR	H8	4	Side Panel Limit Stop



SNB Series Standing Network Rack Assembly Instruction



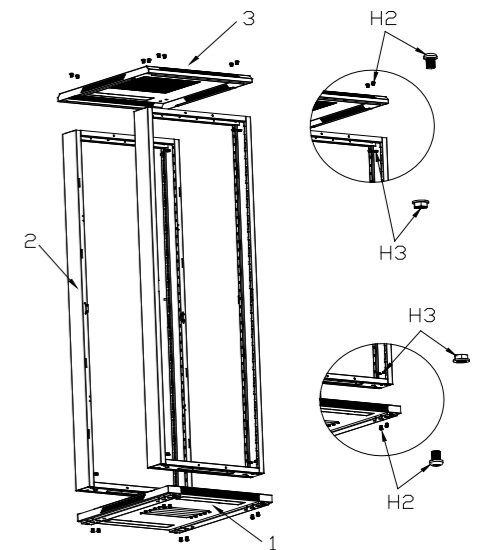
Step 1:

Use M8*12 round head inner hex screws & M8 flange nuts to connect the frames, top & bottom.

Note A: Ensure that the frame with earthing kits is at the right side, earthing kits is at bottom when assemble.

Note B: Ensure that the fan-unit at top & cable entry at bottom is close to the rear side.

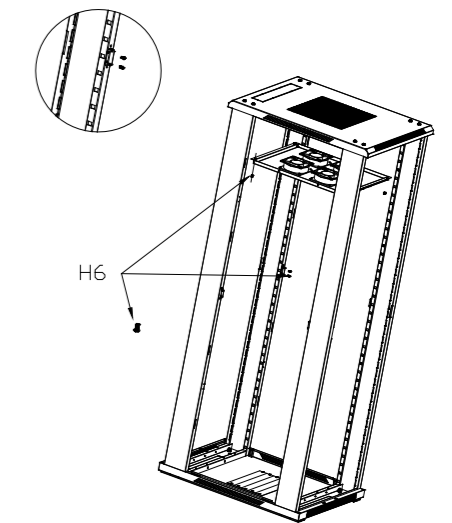
Refer the left picture.



Step 2:

Use M4*8 self-tapping screw to fix the fan unit to the top tray and side panel limit stops to the four posts of the two frames.

Refer the left picture.



Step 3:

Install the horizontal supports to the vertical supports with M6x12 Screws first. Then Install the vertical supports to the horizontal supports.

Note: The distance between the front and rear vertical supports can be adjusted according to your equipment installation depth.

Refer the left picture.

